

The StarTec range is exclusive to Häfele UK Ltd, and offers a unique and patented Euro-fix system for mounting lever handles

- Euro-fix is a versatile lever mounting system with integrated sprung cartridge - used throughout the range
- Tested to 100,000 cycles
- 10 year guarantee

Some of the benefits of the patented EURO-FIX lever mounting system:

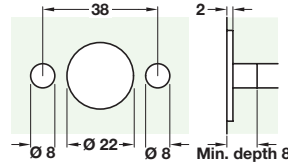
- Integrated springing within cartridge for easier fixing method
- Roses need not slide over lever, avoids damage during installation

- Can be a modular system - most lever styles fit over roses or plates
- Project advantage - used with construction lever, levers can be fitted at hand over stage for best effect and no damage



For all StarTec lever handles:

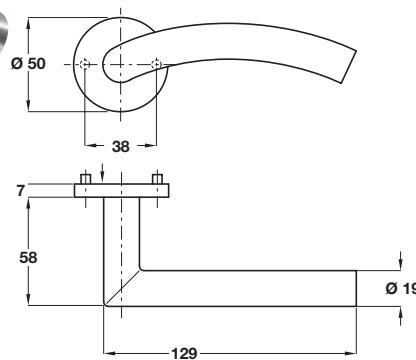
Drill two holes  $\varnothing$  8 mm at 38 mm centres, to a minimum depth of 8 mm, and one  $\varnothing$  22 mm hole to a depth of 2 mm



Escutcheons and WC sets to suit these StarTec lever handles are shown on page 25

5

Architectural Ironmongery: Door Furniture

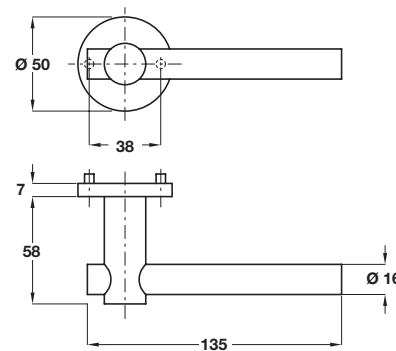


StarTec PALADIUM shaped lever handles

- Pair of lever handles and 'euro-fix' roses
- Grub screw fixing on 8 mm spindle
- Sprung, for use with standard duty followers
- To suit doors **35-44 mm** thick
- 304 stainless steel

Finish	Cat. No.
Satin stainless steel	902.21.490

Order qty: 1 pair

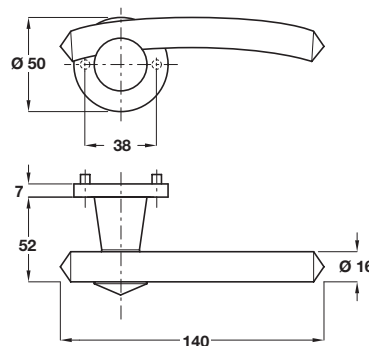


StarTec GOIA straight lever handles

- Pair of lever handles and 'euro-fix' roses
- Grub screw fixing on 8 mm spindle
- Sprung, for use with standard duty followers
- To suit doors **35-44 mm** thick
- 304 stainless steel

Finish	Cat. No.
Satin stainless steel	902.21.660

Order qty: 1 pair



StarTec DIAGO shaped lever handles

- Pair of lever handles and 'euro-fix' roses
- Grub screw fixing on 8 mm spindle
- Sprung, for use with standard duty followers
- To suit doors **35-44 mm** thick
- 304 stainless steel

Finish	Cat. No.
Satin stainless steel	902.21.720

Order qty: 1 pair