

BS EN 1906

4	7	-	1	1	3	0	B
---	---	---	---	---	---	---	---

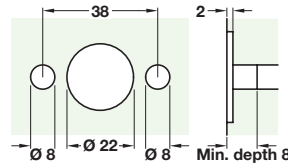
For these StarTec lever handles:
Tested to 200,000 cycles durability
and to BS EN 1906: 2010.
10 year guarantee.



Suitable for use on 30 minute timber
fire door sets to EN 1634-2

For all StarTec lever handles:

Drill two holes $\varnothing 8$ mm at 38 mm centres, to a
minimum depth of 8 mm, and one $\varnothing 22$ mm
hole to a depth of 2 mm



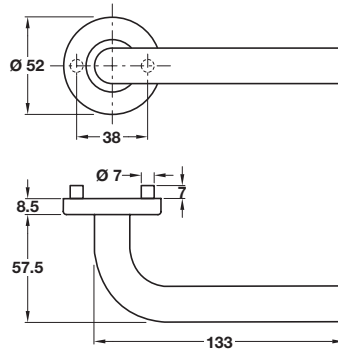
Please Note:

Where we show a fire rating for a product
this would have only been achieved by use
of intumescent seals. When fitting ironmongery
to a fire door please ensure the correct
intumescent product is fitted.

Escutcheons and WC sets to suit these
StarTec lever handles are shown on page **23**

5

Architectural Ironmongery: Door Furniture



StarTec BODA shaped lever handles

- Pair of lever handles and roses
- Grub screw fixing on 8 mm high-grade alloy steel spindle
- Sprung, for use with standard duty followers
- Bolt through fixings included
- To suit doors up to **36-45 mm** thick
- 304 stainless steel

Finish	Cat. No.
Satin stainless steel	902.20.218

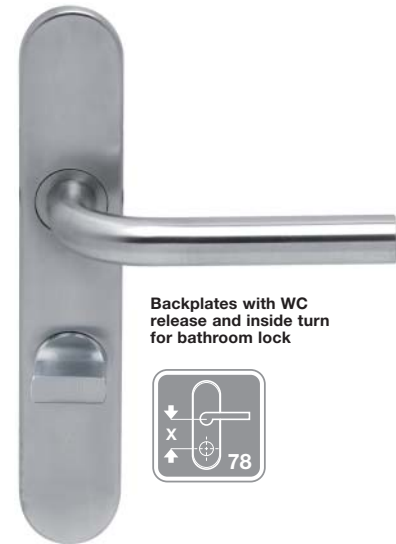
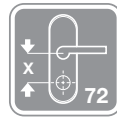
Order qty: 1 pair



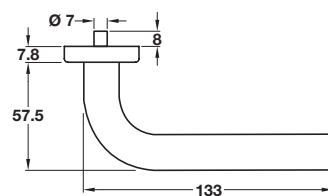
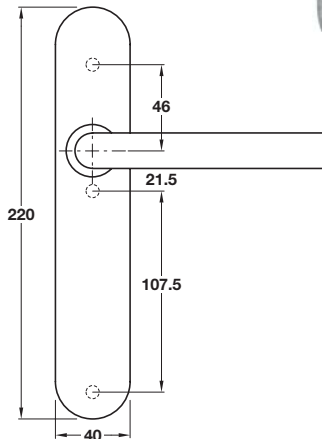
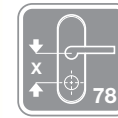
Backplates
for latch



Backplates for
Euro profile
cylinder lock



Backplates with WC
release and inside turn
for bathroom lock



StarTec BODA shaped lever handles

- Pair of lever handles on backplates
- Grub screw fixing on 8 mm high-grade alloy steel spindle
- Sprung, for use with standard duty followers
- To suit doors up to **38-47 mm** thick
- 304 satin stainless steel

Backplates	Cat. No.
For latch	902.90.236
For profile cylinder lock	902.92.236
For bathroom lock	902.94.236

Order qty: 1 set