

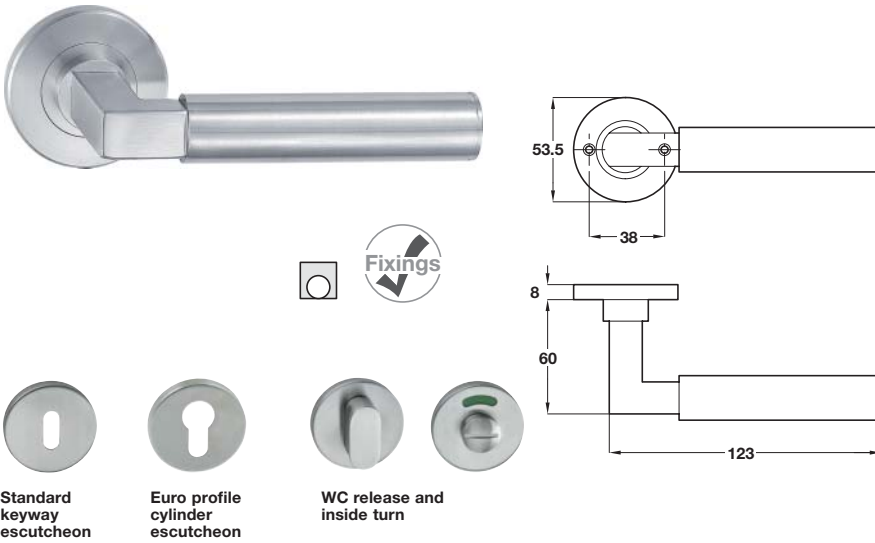
**BS EN 1906**

2	6	-	1	0	3	0	B
---	---	---	---	---	---	---	---

**For all HL lever handles:**  
Tested to 100,000 cycles durability  
and to BS EN 1906: 2010



**For all HL lever handles:**  
Suitable for use on 30 or 60  
minute timber fire door sets  
to BS476 and EN 1634-1

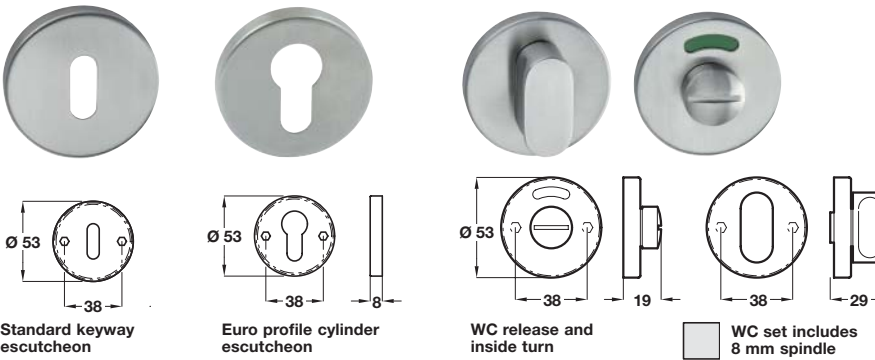


**HL15 Lever handle set**

- Pair of lever handles and roses with escutcheon or WC set included
- 8 mm spindle included
- Sprung, for use with standard duty followers
- To suit doors **38-55 mm** thick
- WC release and inside turn with 8 mm spindle, suits doors **38-45 mm** thick
- 304 stainless steel

Lever handles	Satin	Polished
<b>with standard keyway escutcheon</b>		
Cat. No.	903.91.296	903.91.297
<b>with Euro profile cylinder escutcheon</b>		
Cat. No.	903.92.296	903.92.297
<b>with WC release and inside turn</b>		
Cat. No.	903.93.296	903.93.297

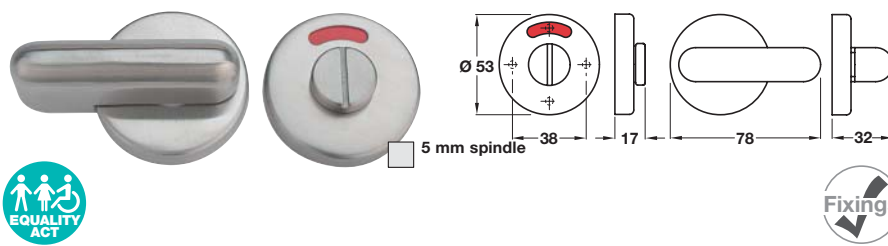
Order qty: 1 set



**HL accessories included in HL Lever handle sets**

All are Ø 53.5 to match lever handle rose  
WC set includes 8 mm spindle, suits  
doors 38-45 mm thick.

**Alternative disabled WC set and security escutcheon** shown below, for use with HL lever handles.

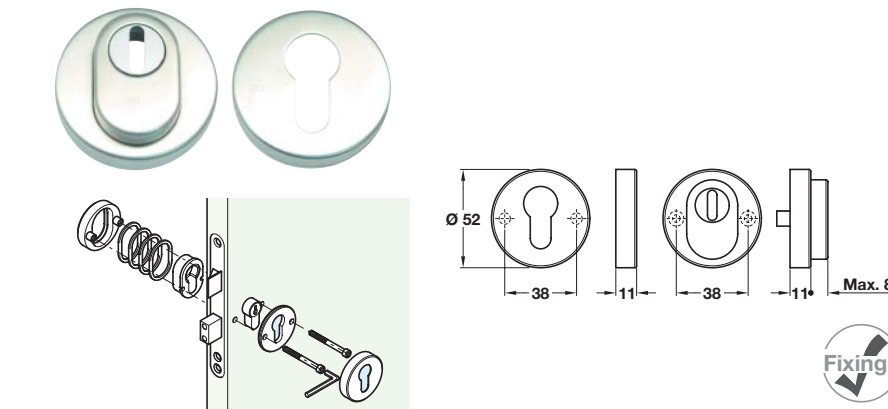


**Emergency release indicator and inside turn**

- 5 mm spindle included (can be converted to 8 mm with spindle adaptor Cat. No. **909.40.600**, shown on page 27)
- To suit doors **up to 44 mm** thick
- 304 stainless steel

Finish	Cat. No.
Satin stainless steel	902.54.890
Polished stainless steel	902.54.891

Order qty: 1 set



**Security escutcheon, profile cylinder**

- Tamper proof
- Back fixing
- 304 stainless steel

Finish	Cat. No.
Satin stainless steel	902.59.300

Order qty: 1 set

TCH 2013. © Häfele U.K. Ltd 2013. Dimensional data not binding. We reserve the right to alter specifications without notice.