

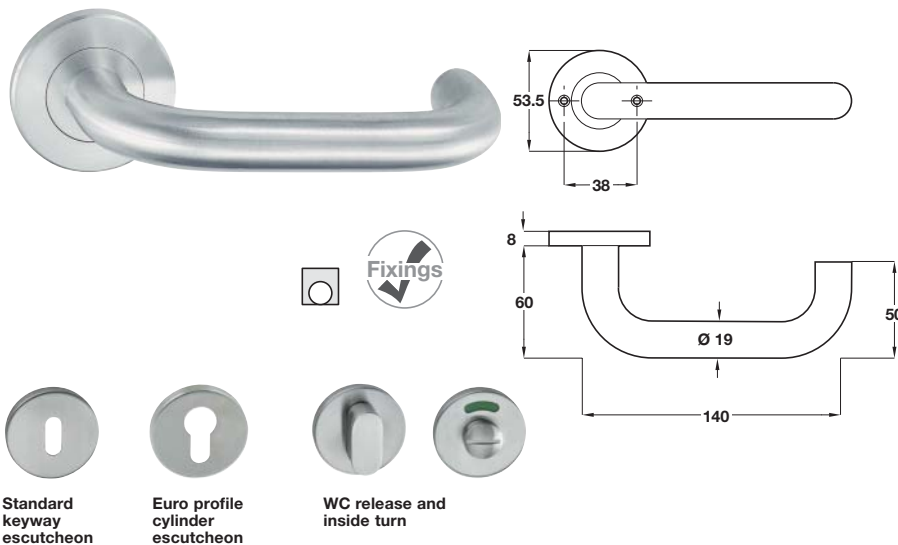
BS EN 1906

2 6 - 1 0 3 0 B

**For all HL lever handles:**  
Tested to 100,000 cycles durability  
and to BS EN 1906: 2010



**For all HL lever handles:**  
Suitable for use on 30 or 60  
minute timber fire door sets  
to BS476 and EN 1634-1

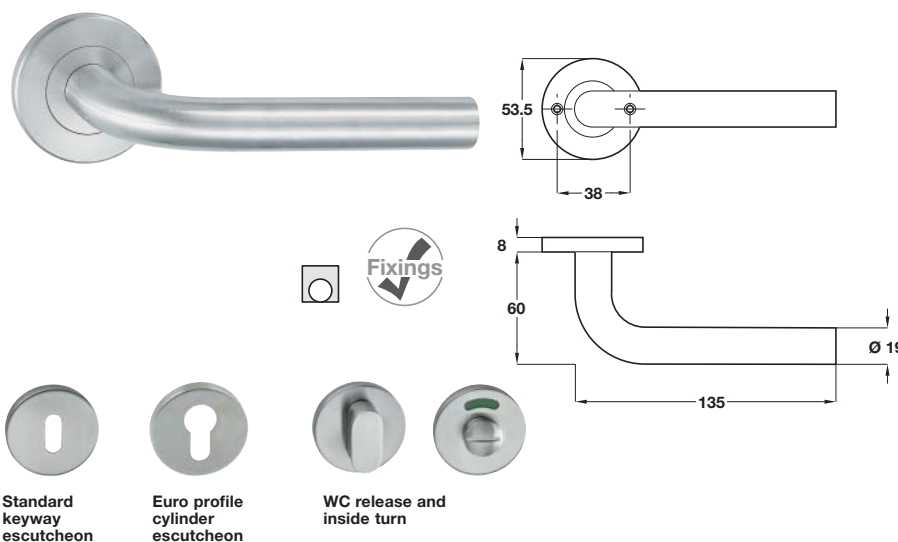


### HL04 Lever handle set

- Pair of lever handles and roses with escutcheon or WC set included
- 8 mm spindle included
- Sprung, for use with standard duty followers
- To suit doors **38-55 mm** thick
- WC release and inside turn with 8 mm spindle, suits doors **38-45 mm** thick
- 304 stainless steel

Lever handles	Satin	Polished
<b>with standard keyway escutcheon</b>		
Cat. No.	903.91.452	903.91.453
<b>with Euro profile cylinder escutcheon</b>		
Cat. No.	903.92.452	903.92.453
<b>with WC release and inside turn</b>		
Cat. No.	903.93.452	903.93.453

Order qty: 1 set

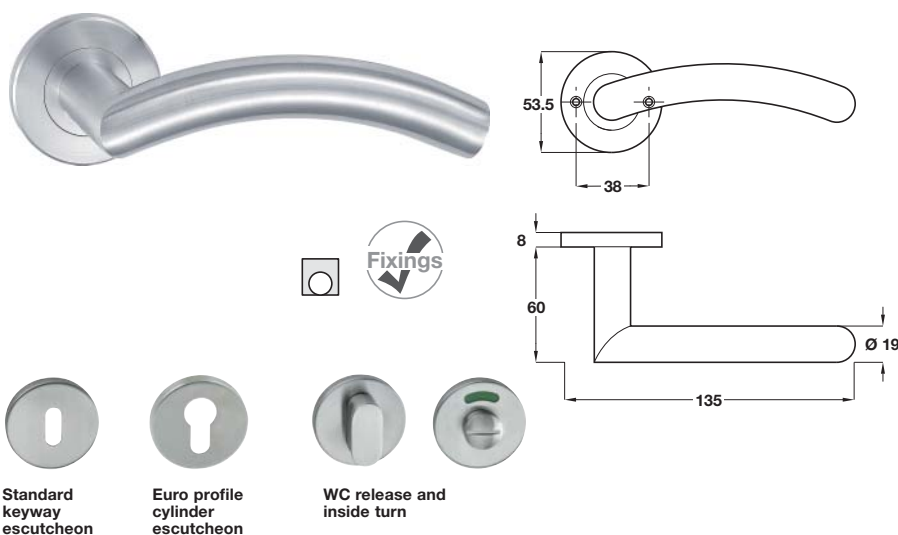


### HL05 Lever handle set

- Pair of lever handles and roses with escutcheon or WC set included
- 8 mm spindle included
- Sprung, for use with standard duty followers
- To suit doors **38-55 mm** thick
- WC release and inside turn with 8 mm spindle, suits doors **38-45 mm** thick
- 304 stainless steel

Lever handles	Satin	Polished
<b>with standard keyway escutcheon</b>		
Cat. No.	903.91.372	903.91.373
<b>with Euro profile cylinder escutcheon</b>		
Cat. No.	903.92.372	903.92.373
<b>with WC release and inside turn</b>		
Cat. No.	903.93.372	903.93.373

Order qty: 1 set



### HL06 Lever handle set

- Pair of lever handles and roses with escutcheon or WC set included
- 8 mm spindle included
- Sprung, for use with standard duty followers
- To suit doors **38-55 mm** thick
- WC release and inside turn with 8 mm spindle, suits doors **38-45 mm** thick
- 304 stainless steel

Lever handles	Satin	Polished
<b>with standard keyway escutcheon</b>		
Cat. No.	903.91.374	903.91.375
<b>with Euro profile cylinder escutcheon</b>		
Cat. No.	903.92.374	903.92.375
<b>with WC release and inside turn</b>		
Cat. No.	903.93.374	903.93.375

Order qty: 1 set

TCH 2013, © Häfele U.K. Ltd 2013. Dimensional data not binding. We reserve the right to alter specifications without notice.

5

Architectural Ironmongery: Door Furniture