

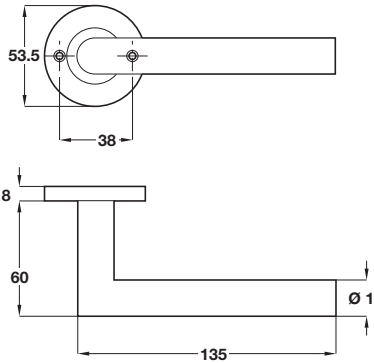
BS EN 1906

2	6	-	1	0	3	0	B
---	---	---	---	---	---	---	---

For all HL lever handles:  
Tested to 100,000 cycles durability  
and to BS EN 1906: 2010



For all HL lever handles:  
Suitable for use on 30 or 60  
minute timber fire door sets  
to BS476 and EN 1634-1



**HL01 Lever handle set**

- Pair of lever handles and roses with escutcheon or WC set included
- 8 mm spindle included
- Sprung, for use with standard duty followers
- To suit doors **38-55 mm** thick
- WC release and inside turn with 8 mm spindle, suits doors **38-45 mm** thick
- 304 stainless steel

Lever handles	Satin	Polished
<b>with standard keyway escutcheon</b>		
Cat. No.	903.91.358	903.91.359
<b>with Euro profile cylinder escutcheon</b>		
Cat. No.	903.92.358	903.92.359
<b>with WC release and inside turn</b>		
Cat. No.	903.93.358	903.93.359

Order qty: 1 set

5

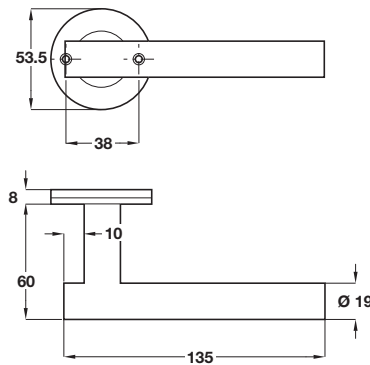
Architectural Ironmongery: Door Furniture



Standard keyway escutcheon

Euro profile cylinder escutcheon

WC release and inside turn



**HL02 Lever handle set**

- Pair of lever handles and roses with escutcheon or WC set included
- 8 mm spindle included
- Sprung, for use with standard duty followers
- To suit doors **38-55 mm** thick
- WC release and inside turn with 8 mm spindle, suits doors **38-45 mm** thick
- 304 stainless steel

Lever handles	Satin	Polished
<b>with standard keyway escutcheon</b>		
Cat. No.	903.91.116	903.91.117
<b>with Euro profile cylinder escutcheon</b>		
Cat. No.	903.92.116	903.92.117
<b>with WC release and inside turn</b>		
Cat. No.	903.93.116	903.93.117

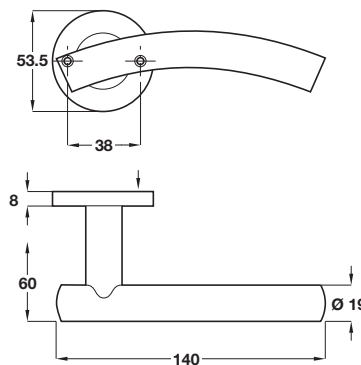
Order qty: 1 set



Standard keyway escutcheon

Euro profile cylinder escutcheon

WC release and inside turn



**HL03 Lever handle set**

- Pair of lever handles and roses with escutcheon or WC set included
- 8 mm spindle included
- Sprung, for use with standard duty followers
- To suit doors **38-55 mm** thick
- WC release and inside turn with 8 mm spindle, suits doors **38-45 mm** thick
- 304 stainless steel

Lever handles	Satin	Polished
<b>with standard keyway escutcheon</b>		
Cat. No.	903.91.177	903.91.178
<b>with Euro profile cylinder escutcheon</b>		
Cat. No.	903.92.177	903.92.178
<b>with WC release and inside turn</b>		
Cat. No.	903.93.177	903.93.178

Order qty: 1 set



Standard keyway escutcheon

Euro profile cylinder escutcheon

WC release and inside turn