

**Mortise overhead limit stay**

- To prevent door opening beyond 90°, where there is no stop fitted (not subject to high winds)
- Suitable for single and double action doors
- Reversing the channel will allow hold open or non-hold open facility
- Fixings not included
- Steel

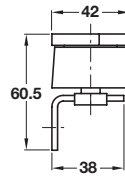
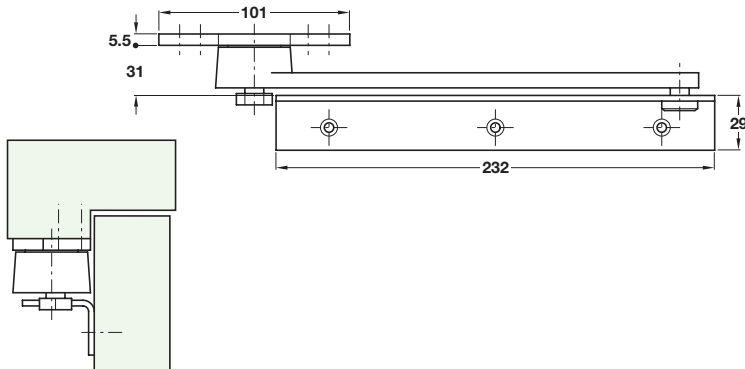


| Finish      | Cat. No.   |
|-------------|------------|
| Zinc plated | 911.52.149 |

Order qty: 1 pc

**5**

Architectural Ironmongery: Closers and Controls

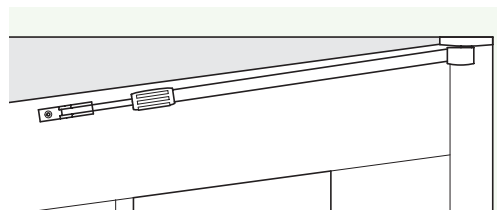
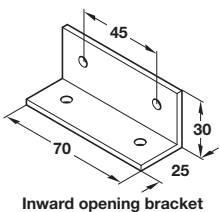
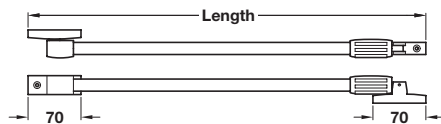


**Surface overhead friction stay**

- Heavy duty for outward opening doors
- Friction controlled by nut on plate
- Prevents door opening beyond 90°
- Single action doors only
- Fixings not included
- Steel

| Finish      | Cat. No.   |
|-------------|------------|
| Zinc plated | 911.52.389 |

Order qty: 1 pc



**Overhead friction stay, telescopic**

- Surface mounted
- Friction adjusted by grooved plastic collar
- Inward opening bracket included
- Steel

| Length (mm)          | 380-550    | 525-845    |
|----------------------|------------|------------|
| To suit door width   | 500-700    | 700-910    |
| Finish               |            |            |
| Silver-grey          | 938.20.039 | 938.20.049 |
| Stainless st. effect | 938.20.030 | 938.20.040 |

Order qty: 1 pc

TCH 2013. © Häfele U.K. Ltd 2013. Dimensional data not binding. We reserve the right to alter specifications without notice.