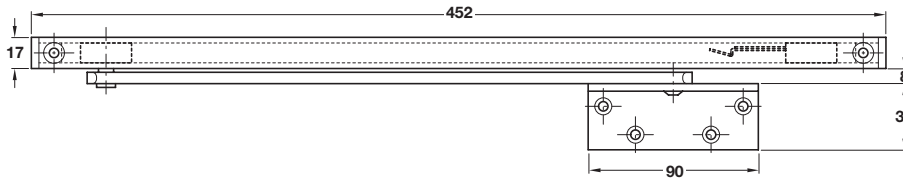
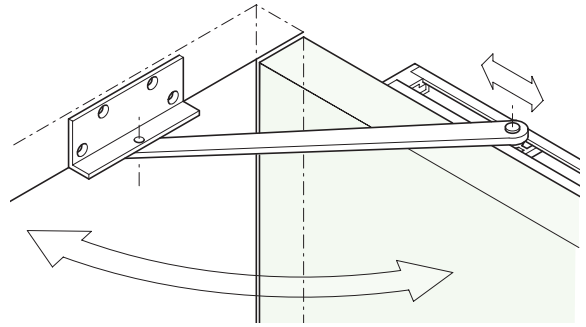


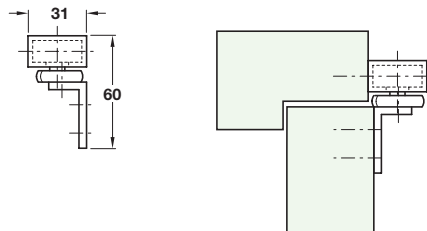
5

Architectural Ironmongery: Closers and Controls



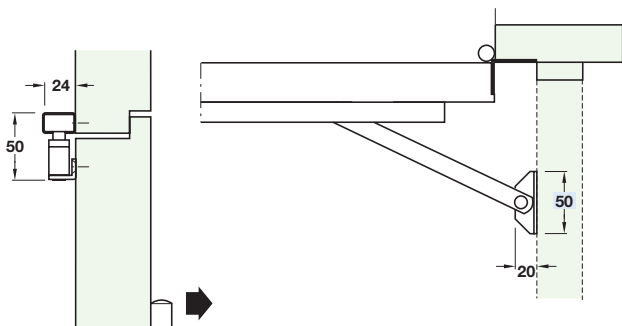
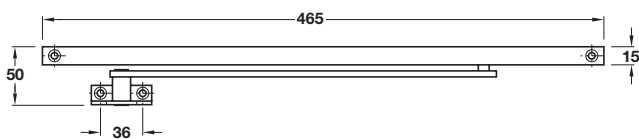
Overhead door holder

- To suit inward opening doors, pull side
- Recommended min. door width **750 mm**
- Suitable for light and medium duty timber or metal doors
- Reversible
- Can be used with or without hold-open feature
- Hold-open angle **90° to 130°**
- Limit angle **90° to 150°**
- Fixings included
- Self lubricating plastic slide block
- Anodised aluminium extruded channel, steel arm and plates



Finish	Cat. No.
Silver	931.95.920

Order qty: 1 pc



Overhead door holder

- For single action doors, for interior and exterior doors
- Face fixed, for left or right hand installation
- With hold open function
- For door thickness 30-50 mm
- Hold-open angle **45 to 110°**
- Fixings included
- Silver coloured aluminium housing, matt nickel plated steel arm



Finish	Cat. No.
Silver coloured	938.37.001

Order qty: 1 pc

TCH 2013, © Häfele U.K. Ltd 2013. Dimensional data not binding. We reserve the right to alter specifications without notice.