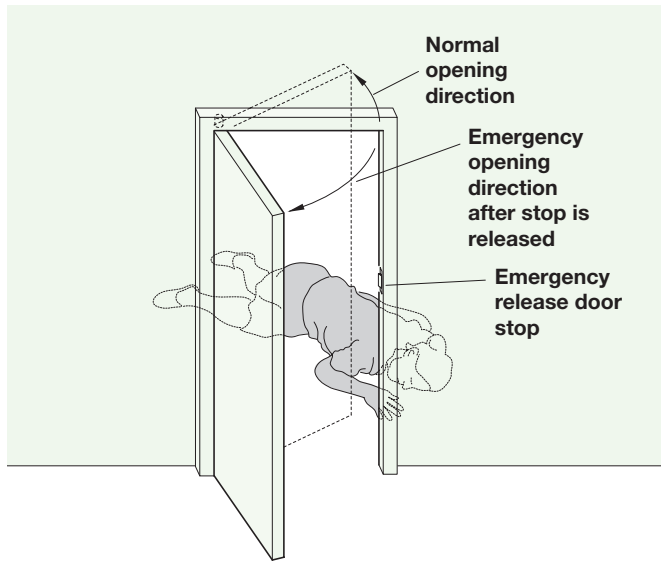
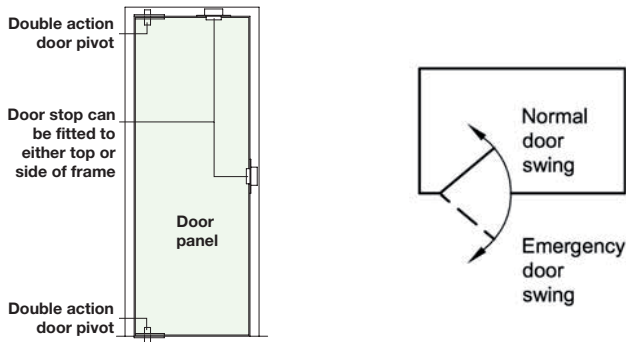
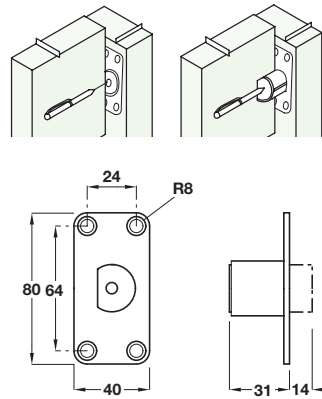


These emergency release door stops allow a double action door using pivot sets shown on pages 138-140 to operate as a single swing in emergency situations.



Roller bolt bathroom locks for use with double action doors are shown on page 161



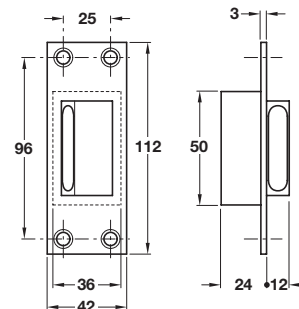
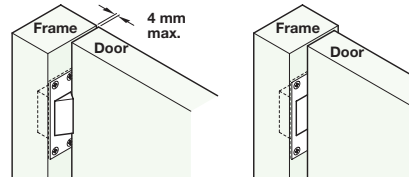
Emergency release door stop

- For use with pivot sets shown on pages 138-140
- Allows double action door to operate as a single swing, when hung on pivots
- Emergency access is gained by depressing the stop and pulling the door outward
- Includes hold back facility
- Stop release resets automatically
- Maintenance free, 25 year guarantee
- Plate has R8 corners
- 5 x 30 mm screws included
- Stainless steel, grade 304



Finish	Cat. No.
Satin stainless steel	932.87.020

Order qty: 1 pc



Emergency release door stop

- For use with pivot sets shown on pages 138-140
- Allows double action door to operate as a single swing, when hung on pivots
- Emergency access is gained by depressing the stop and pulling the door outward
- Includes rubber insert for quieter action
- Stop release resets automatically
- Maintenance free, 25 year guarantee
- 5 x 30 mm screws included
- Stainless steel, grade 304



Finish	Cat. No.
Stainless steel	932.87.010

Order qty: 1 pc