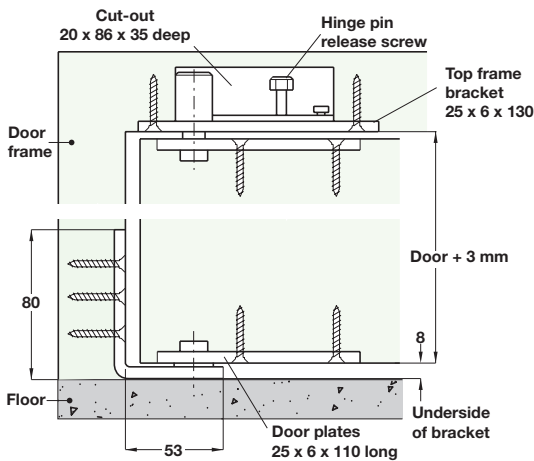
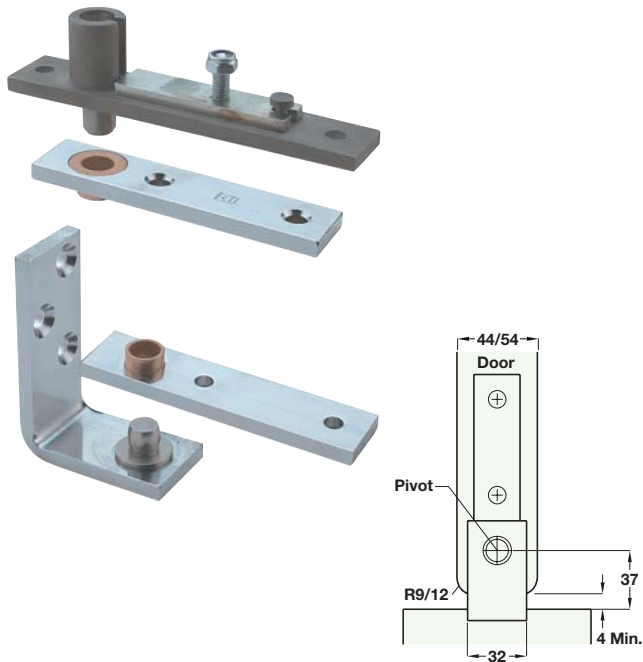


Emergency release door stops to allow double action door to operate as a single swing in emergency situations, are shown on page 141

5

Architectural Ironmongery: Closers and Controls



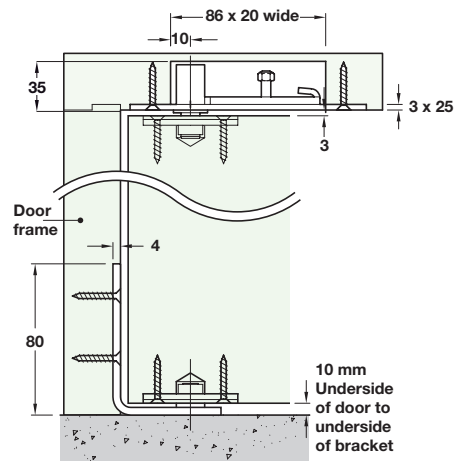
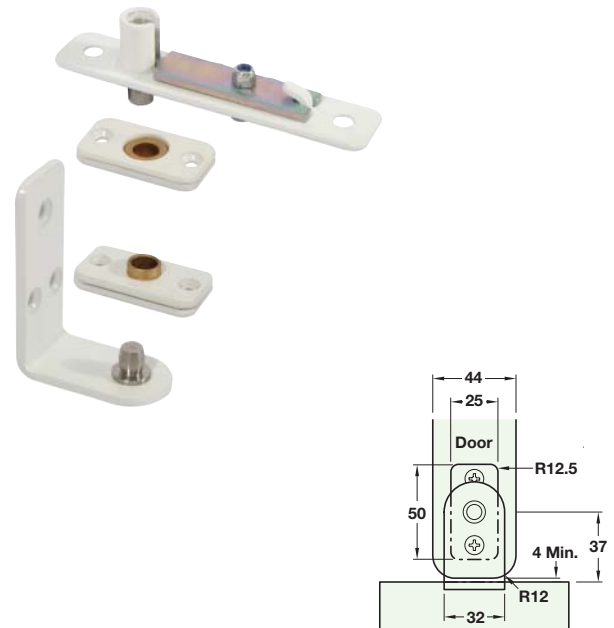
### Double action pivot set, frame mounted

- Suitable for FD30 doors to EN 1634-1
- Allows doors to swing in either direction
- Door plates radiused for easy preparation
- Bottom bracket is frame mounted
- Minimum door thickness **44 mm**
- To suit doors up to **80kg**, when bracket floor mounted
- Maximum door width **1100 mm**, when jamb mounted
- 44 mm thick doors require R9 radius on pivot edge, 54 mm thick doors require R15 radius
- Top and bottom plates have maintenance free oil impregnated bronze bearings
- Set includes door bottom pivot, top centre and Ø 5 mm door brackets
- Maintenance free, guaranteed 25 years
- **Note:** It is recommended that both lock and hinge stiles are brush stripped for privacy; see from page 294
- Stainless steel, grade 304



Finish	Cat. No.
Satin stainless steel	932.87.000

Order qty: 1 pc



### Double action pivot set, frame mounted

- Allows doors to swing in either direction
- Door plates radiused for easy preparation
- Bottom bracket is frame mounted
- For light duty internal doors
- Minimum door thickness **38 mm**
- To suit doors up to **20 kg**, when bracket frame mounted and up to **40 kg** when bracket floor mounted
- Maximum door width **950 mm**, when jamb mounted
- 38 mm thick doors require R21 radius on pivot edge
- Top and bottom plates have maintenance free oil impregnated bronze bearings
- Set includes door bottom pivot, top centre and Ø 5 mm screws to suit
- Maintenance free, guaranteed 25 years
- **Note:** It is recommended that both lock and hinge stiles are brush stripped for privacy; see from page 294
- Mild steel



Finish	Cat. No.
White powder coated	932.87.057

Order qty: 1 pc

TCH 2013, © Häfele U.K. Ltd 2013. Dimensional data not binding. We reserve the right to alter specifications without notice.