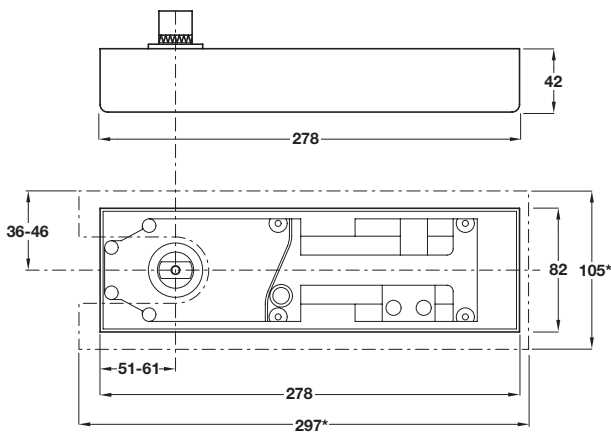


BS EN 1154

3	8	1-4	1	1	4
---	---	-----	---	---	---



* Dimensions for cover plate (not included - must be ordered separately)

Geze TS 500 NV Floor spring mechanism and box, power size 1-4

- Floor spring mechanism to suit single and double action doors up to 1100 mm wide with flat-tapered, removable interlocked spindle
- Conforms to BS EN 1154: 1997
- Certifire approved; certificate No. CF 259
- Closing force size 1-4
- Maximum door width 1100 mm
- Maximum door weight 150 kg
- Closing range from 170°
- Adjustable closing force, adjustable closing speed, backcheck and latch action and hold open version
- Supplied with cement box - adjustable position (6 mm vertical, 10 mm lateral and 10 mm length)
- Safety valve prevents overloading
- Hold open @ 90° (single action only)*, not fire doors
- * For double action doors each hold-open angle is 5° greater. For example, an 85° hold-open version will be 90° in double action mode
- **Order cover plate Cat. No. 932.10.130 separately**, shown on page 137
- **Order pivot fittings separately**, shown on page 137

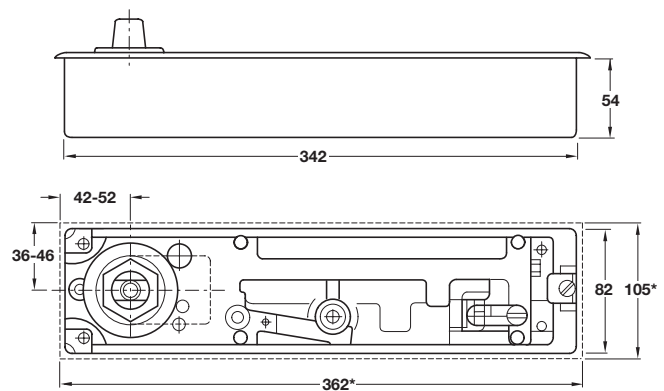
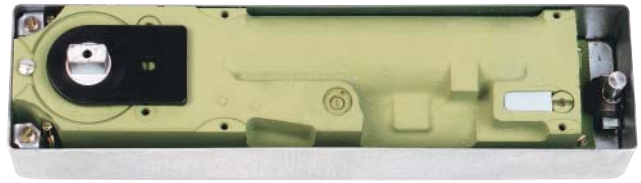


Version	Cat. No.
Standard (EN size 1-4)	932.10.050
Hold-open version 90° (not suitable for fire door)	932.10.052

Order qty: 1 pc

BS EN 1154

3	8	3-6	1	1	4
---	---	-----	---	---	---



* Dimensions for cover plate (not included - must be ordered separately)

Geze TS 550 NV Floor spring mechanism and box, power size 3-6

- Floor spring mechanism to suit single and double action doors up to 1400 mm wide with flat-tapered, removable interlocked spindle
- Conforms to BS EN 1154: 1997
- Certifire approved; certificate No. CF 259
- Closing force size 2-5
- Maximum door width 1400 mm
- Maximum door weight 300 kg
- Closing range from 175°
- Adjustable closing force, adjustable closing speed, backcheck and variable hold-open, engageable/disengageable 80-120°
- Supplied with cement box - adjustable position (6 mm vertical, 10 mm lateral and 10 mm length)
- Safety valve prevents overloading
- Hold open @ 90° (single action only)*, not fire doors
- * For double action doors each hold-open angle is 5° greater. For example, an 85° hold-open version will be 90° in double action mode
- **Order cover plate Cat. No. 932.10.110 separately**, shown on page 137
- **Order pivot fittings separately**, shown on page 137



Version	Cat. No.
Standard: Selectable hold-open version	932.10.061

Order qty: 1 pc

5

Architectural Ironmongery: Closers and Controls