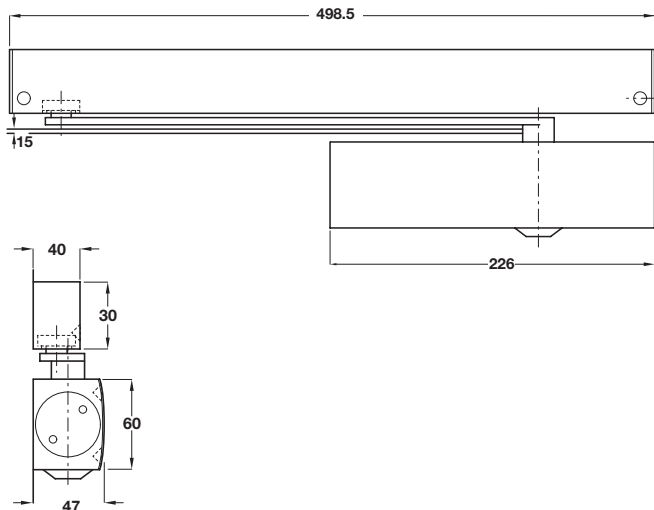


### BS EN 1154

4	8	1-4	1	1	4
---	---	-----	---	---	---



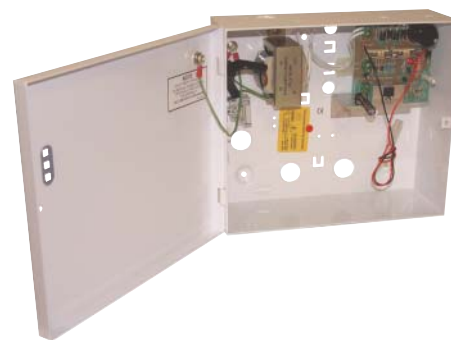
### Geze TS 3000 E electro-mechanical hold-open overhead door closer

- Conforms to BS EN 1154
- Certifire approved CF145
- Power size 1-4
- Max. door width 1100 mm
- Adjustable latch speed
- Hold-open angle infinitely variable between 80-130°
- Electrical data: Operating voltage 24 V DC  $\pm$  10%. Connecting load 120mA. Max. permissible residual ripple 20%. Rating 100%
- Enclosure rating IP43, for interior use only
- A suitable switch should be installed for test purposes (not included)



Finish	Cat. No.
Silver	931.10.969

Order qty: 1 pc

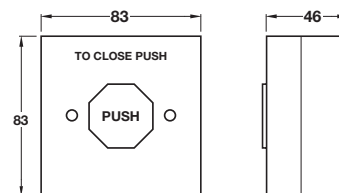


### Power supply unit

- Dims (height x width x depth): 280 x 237 x 90 mm
- To suit electro-magnetic closers and door retainers
- 24V DC
- One power supply is capable of controlling several units
- Mild steel case. Off white coated

Power	Cat. No.
1 Amp	931.86.911
2 Amp	931.86.912

Order qty: 1 pc



### Release button

- 24V DC
- Easy for use by disabled persons
- Ideal for use in care homes, theatres and cinemas where the fire doors need to be open occasionally
- Plastic switch plate and back box

Finish	Cat. No.
White	912.05.086

Order qty: 1 pc

TCH 2013. © Häfele U.K. Ltd 2013. Dimensional data not binding. We reserve the right to alter specifications without notice.