



Geze Boxer concealed overhead door closers

When fitted, the door closer is completely concealed within the door frame and door panel

Max. opening angle 120°

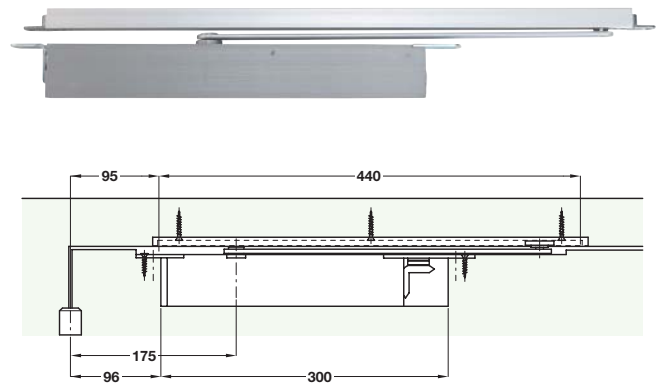
Suitable for min. 40 mm door thickness

Suitable for standard installation in door leaf

Fixing position: Where intumescent are to be fitted, 1 mm must be added to all dimensions (see fitting instructions)

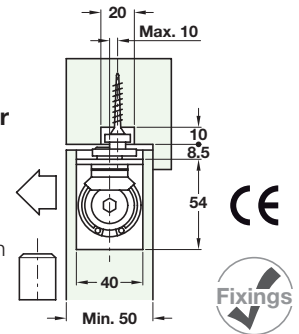
BS EN 1154

3	8	3-6	1	1	4
---	---	-----	---	---	---



Geze Boxer single action concealed overhead door closer

- Conforms to BS EN 1154:1997
- Power size 3-6
- Max. door width 1400 mm
- Adjustable closing force, speed, latch action and backcheck
- Aluminium body and guide rail, mild steel arm

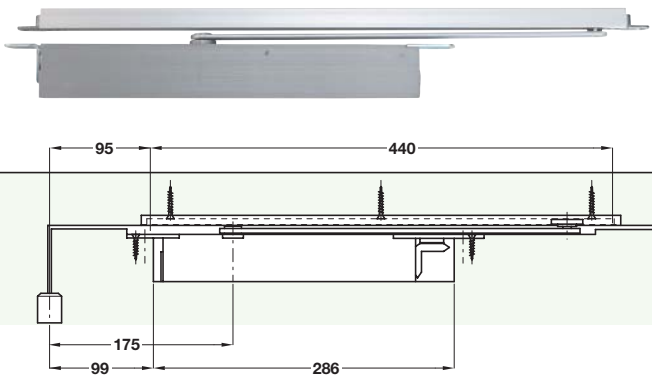


Finish	Not fire rated
Silver	931.14.339

Order qty: 1 pc

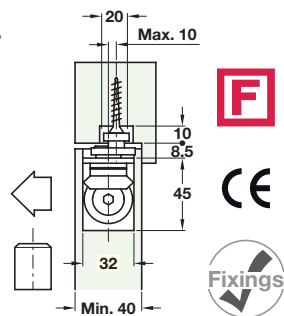
BS EN 1154

3	8	2-4	1	1	4
---	---	-----	---	---	---



Geze Boxer single action concealed overhead door closer

- Conforms to BS EN 1154:1997
- Fire rated version: Certifire approved No. CF 242
- Power size 2-4
- Max. door width 1100 mm
- Adjustable closing force, speed, latch action and backcheck
- Aluminium body and guide rail, mild steel arm

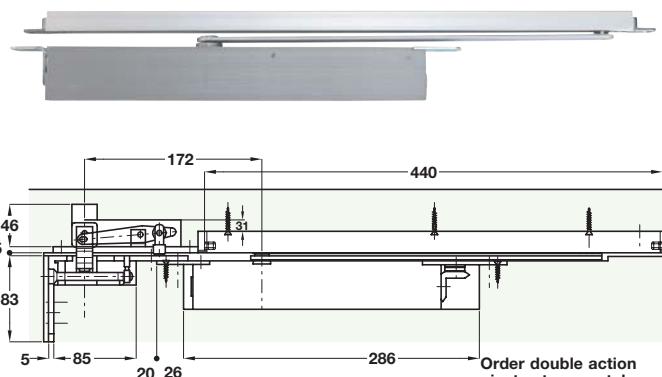


Finish	Not fire rated	Fire rated
Silver	931.17.903	931.17.929

Order qty: 1 pc

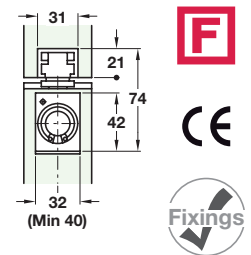
BS EN 1154

3	8	2-4	1	1	4
---	---	-----	---	---	---



Geze Boxer double action concealed overhead door closer

- Conforms to BS EN 1154:1997
- Fire rated version: Certifire approved No. CF 242
- Power size 2-4
- Max. door width 1100 mm
- Adjustable closing force, speed, latch action and backcheck
- Aluminium body and guide rail, mild steel arm



Finish	Not fire rated	Fire rated
Silver	931.14.369	931.14.469

Order qty: 1 pc

TCH 2013. © Häfele U.K. Ltd 2013. Dimensional data not binding. We reserve the right to alter specifications without notice.