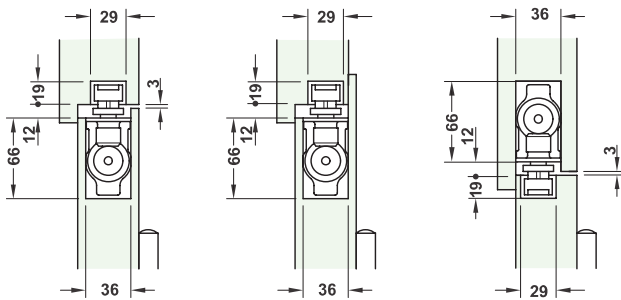
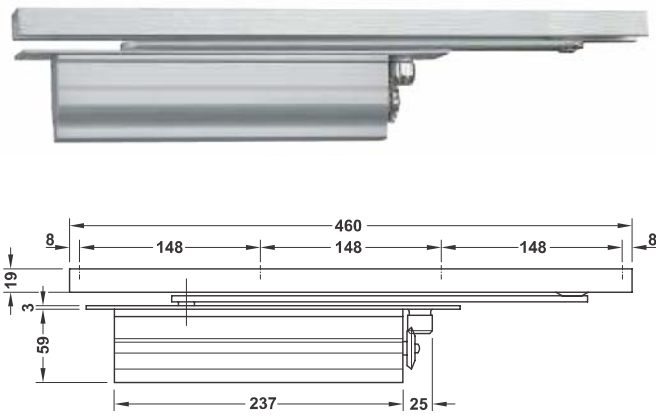


BS EN 1154

3	8	2-4	1	1	4
---	---	-----	---	---	---



StarTec DCL 33 concealed overhead door closer

- Conforms to BS EN 1154:1996/A1:2002
- Fire and smoke tested - Certificate No. CF 799
- DoP No.: 93.84.I
- Power size 2-4
- Max. door width 1100 mm
- Min. door thickness 46 mm
- Opening angle 115°
- Variable closing force and latch action
- Suitable for standard installation in door and overhead installation in frame
- Cast aluminium body

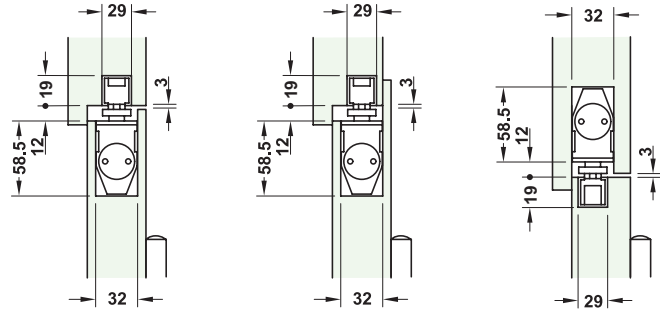
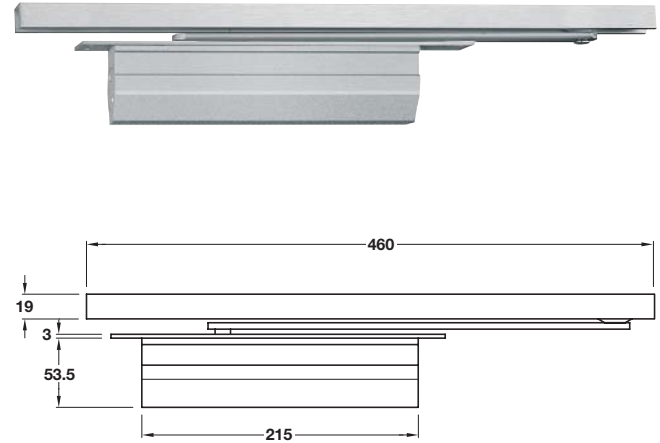


Finish	Cat. No.
Silver coloured	931.84.039

Order qty: 1 pc

BS EN 1154

3	8	3	1	1	3
---	---	---	---	---	---



StarTec DCL 34 concealed overhead door closer

- Conforms to BS EN 1154:1996/A1:2002
- Fire and smoke tested - Certificate No. CF 799
- DoP No.: 93.84.G
- Power size 3
- Max. door width 950 mm
- Min. door thickness 40 mm
- Opening angle 120°
- Variable closing force and latch action
- Suitable for standard installation in door and overhead installation in frame
- Cast aluminium body



Finish	Cat. No.
Silver coloured	931.84.049

Order qty: 1 pc

5 Architectural Ironmongery: Closers and Controls

Intumescent fire protection kit for DCL concealed door closers

- Provides fire resistance of up to 60 minutes
- Self-adhesive
- Material thickness 2 mm
- Replaces intumescent mastic or paste

Suitable for door closer model	Cat. No.
DCL 33	950.11.123
DCL 34	950.11.124

Order qty: 1 pc

