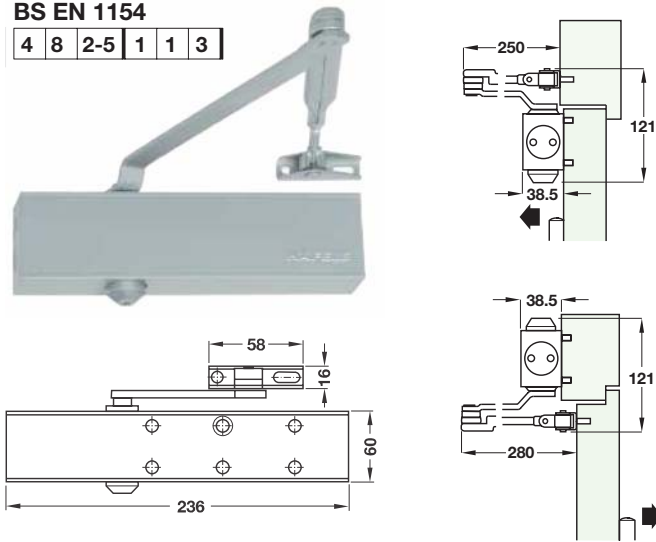


BS EN 1154

4 8 2-5 1 1 3



StarTec DCL 51 overhead door closer

- Conforms to BS EN 1154: 1996/A1:2002
- Fire and smoke tested - Certifire No.: CF 799
- DoP No.: 931.84.C
- Power size 2-5
- Max. door width 1250 mm, max. door weight 100 kg
- Opening angle max. 180°
- Variable closing force, latch action and backcheck
- Fig 1 and 61 application
- Cast aluminium body

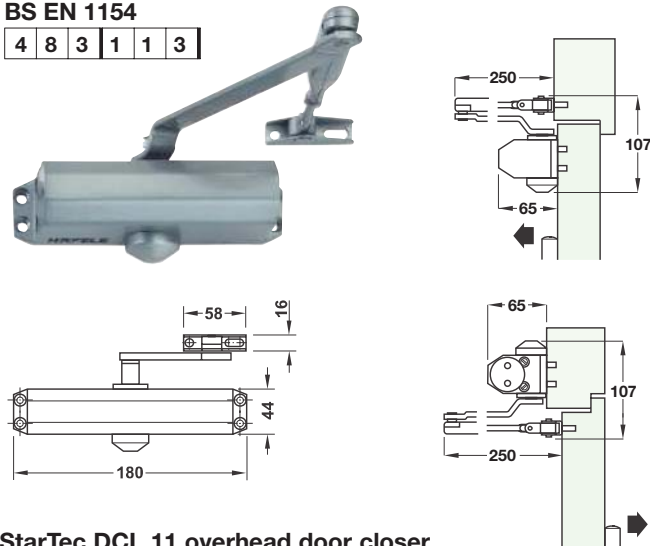


| | | | |
|----------|-----------------------|-----------------|----------------|
| Finish | Silver col. lacquered | Satin st. steel | Polished brass |
| Cat. No. | 931.84.829 | 931.84.820 | 931.84.828 |

Order qty: 1 pc

BS EN 1154

4 8 3 1 1 3



StarTec DCL 11 overhead door closer

- Conforms to BS EN 1154:1996/A1:2002
- Fire and smoke tested - Certifire No.: CF 799
- DoP No.: 931.84.A
- Power size 3
- Max. door width 950 mm
- Opening angle max. 180°
- Variable closing force, latch action and backcheck
- Fig 1 and 61 application
- Cast aluminium body

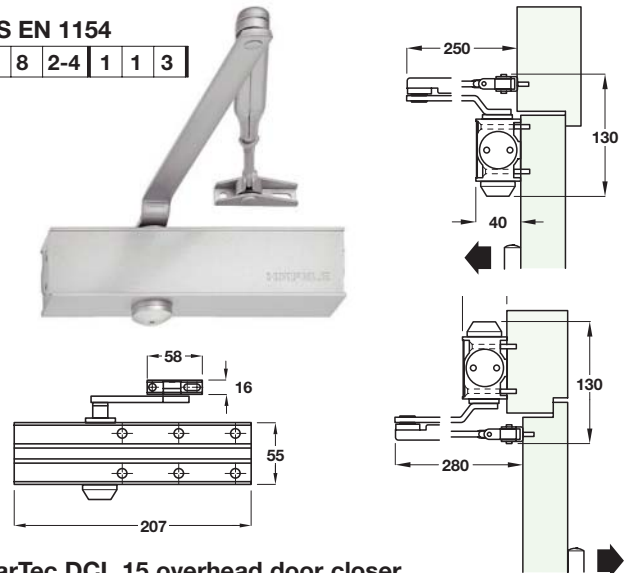


| | |
|-----------------|------------|
| Finish | Cat. No. |
| Silver coloured | 931.84.649 |

Order qty: 1 pc

BS EN 1154

4 8 2-4 1 1 3



StarTec DCL 15 overhead door closer

- Conforms to BS EN 1154:1996/A1:2002
- Fire and smoke tested - Certifire No.: CF 799
- DoP No.: 931.84.B
- Power size 2-4
- Max. door width 1100 mm
- Opening angle max. 180°
- Variable closing force, latch action and backcheck
- Fig 1 and 61 application
- Cast aluminium body



| | |
|-----------------|------------|
| Finish | Cat. No. |
| Silver coloured | 931.84.629 |

Order qty: 1 pc

StarTec overhead door closers DCL 11/15/51 are suitable for Fig. 1 or Fig 61 application. For parallel arm application order fixing bracket separately.

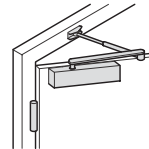


Fig 1 Standard application (door leaf installation)
Closer is fixed to the pull side of the door

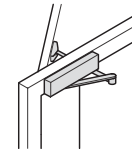
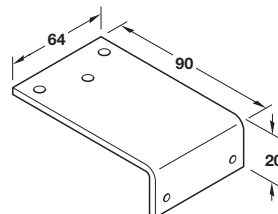


Fig 61 Transom application (overhead installation)
Closer is fixed to the push side of the door

Closing forces with parallel arm installation

| | | | |
|---------------|--------|--------|--------|
| Model | DCL 11 | DCL 15 | DCL 51 |
| Closing force | 3 | 3 | 2-4 |



DCL 11/15/51 Fixing bracket for parallel arm installation

- For mounting arm parallel to door frame
- **Please note:** The closing speed is reduced by approx. 20% when using a fixing bracket for parallel arm



| | |
|-----------------|------------|
| Finish | Cat. No. |
| Silver coloured | 931.84.900 |

Order qty: 1 pc

TCH 2013. © Häfele U.K. Ltd 2013. Dimensional data not binding. We reserve the right to alter specifications without notice.

Architectural Ironmongery: Closers and Controls