

Concealed Jamb Door Closers

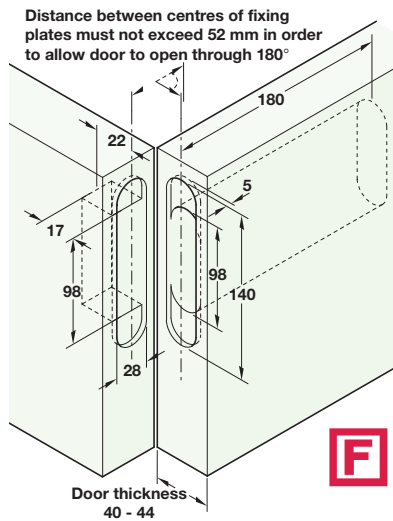
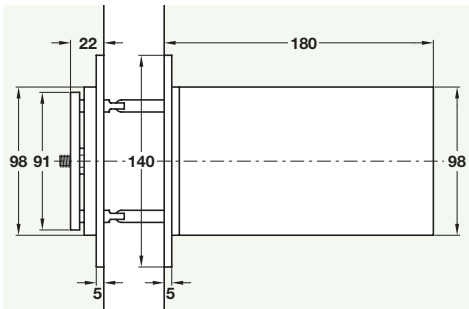
Concealed Hydraulic Jamb Closers

Important note: The closers on this page cannot be used on doors hung on any type of projection hinge, rising or falling butt hinges



BS EN 1154

3	8	3	1	1	3
---	---	---	---	---	---

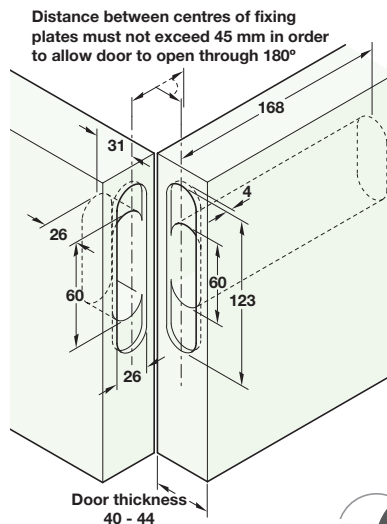
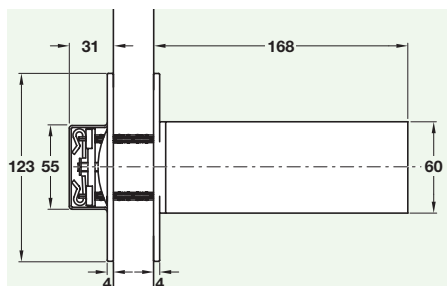


Perko Powermatic concealed hydraulic door closer with latch action

- Tested to 500,000 cycles, CE marked
- Maximum door width **950 mm**
- Maximum door weight **80 kg**
- Unhanded
- Suitable for use on doors with arched heads where other types of closer are unsuitable
- **Distance between centres of the fixing plates must not exceed 52 mm in order to allow door to open through 105°**
- Unit concealed within the door and frame, only the stainless steel links (grade 316) and face plates are visible
- Closing speed and latching action are adjustable
- Full fixing instructions are included together with fixing template
- **Certification**
- Conforms to BS EN 1154:1996/A1:2002
- Certifire No.: CF 370 30 mins
- Power size 3, 80 kg doors up to 950 mm wide
- Fire tested to BS EN 1634-1:2000 for 1 hour
- Opening forces comply with requirements of Approved Document M for doors of a minimum width of 826 mm whilst still conforming to BS EN 1154: 1997
- Exceeds the 65% efficiency recommendation for fire doors on accessible routes (80%)
- 10 year guarantee

Finish	Cat. No.
Polished brass	931.90.438
Polished chrome	931.90.432
Satin chrome	931.90.434

Order qty: 1 pc



Perkomatic concealed hydraulic door closer with latch action

- For light to medium weight internal doors
- Maximum door width **850 mm**
- Maximum panel weight **75 kg**
- Unhanded
- Suitable for use on doors with arched heads where other types of closer are unsuitable
- Distance between centres of the fixing plates **must not exceed 45 mm in order to allow door to open through 105°**
- Tested to BS EN 1634-1 and BS 476 Part 22 for 30 mins
- Full fixing instructions are included together with fixing template
- Tested to 500,000 cycles

Finish	Cat. No.
Polished brass	931.90.408
Polished chrome	931.90.422
Satin chrome	931.90.424

Order qty: 1 pc

TCH 2013, © Häfele U.K. Ltd 2013. Dimensional data not binding. We reserve the right to alter specifications without notice.