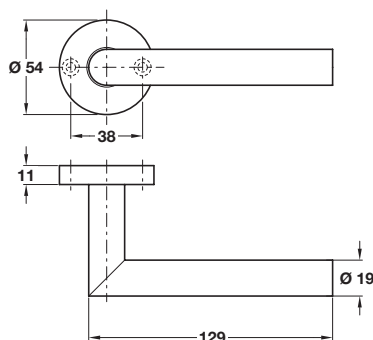


**RUSHMORE Ø 19 mm section lever handles**

- Pair of lever handles and roses
- Grub screw fixing on 8 mm spindle
- Unsprung, for use with heavy duty followers
- Fixing screws included
- To suit doors **35-54 mm** thick
- 316 stainless steel

Finish	Cat. No.
Satin stainless steel	902.20.500
Polished stainless steel	902.20.501

Order qty: 1 pair

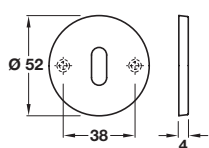


**Ø 19 mm straight lever handles**

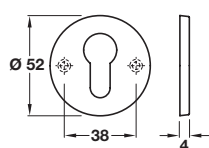
- Pair of lever handles and roses
- Grub screw fixing on 8 mm spindle
- Sprung, for use with heavy duty followers
- Fixing screws included
- To suit doors **40-54 mm** thick
- 316 stainless steel

Finish	Cat. No.
Satin stainless steel	902.21.010

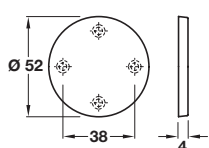
Order qty: 1 pair



Standard keyway escutcheon



Euro profile cylinder escutcheon



Blank escutcheon

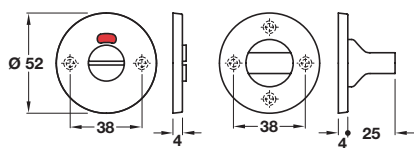


**Lever handle accessories**

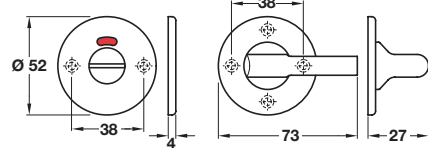
- **Escutcheons:** Fixings included
- **WC/emergency release and inside turn:** To suit doors **up to 44 mm** thick 5 mm spindle and fixings included
- 316 stainless steel

Finish	Satin	Polished
Standard keyway escutcheon		
Cat. No.	902.51.870	902.51.871
Profile cylinder escutcheon		
Cat. No.	902.52.870	902.52.871
Blank escutcheon		
Cat. No.	902.54.870	902.54.871
WC release and inside turn*		
Cat. No.	902.53.870	902.53.871
Disabled WC release and inside turn*		
Cat. No.	902.54.902	902.54.903

Order qty: 1 pc (\*set)



WC release and inside turn



Disabled WC release and inside turn

