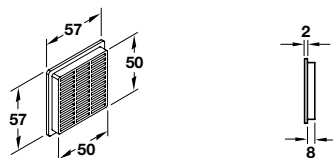


Ventilation grill

- For recess mounting
- Press fitting, with screw holes which must be punched through before installation, unused screw holes remain concealed
- With flanged rim
- Plastic

Ventilation area	50 cm²
Finish	Cat. No.
White	571.67.718

Order qty: 1 pc

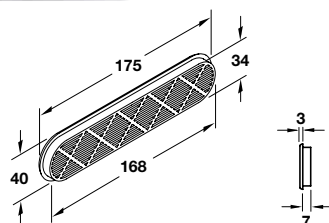


Ventilation trim

- For recess mounting
- Press fitting
- With flanged rim
- Plastic

Ventilation area	10.2 cm²
Finish	Cat. No.
Chrome-plated	571.54.211

Order qty: 1 pc

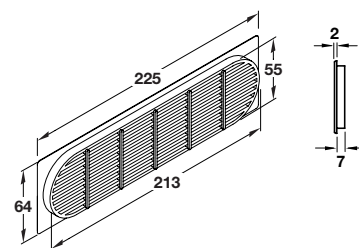
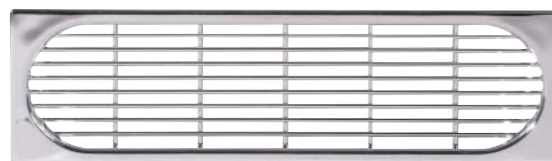


Ventilation grill

- For recess mounting
- Press fitting
- With flanged rim
- Plastic

Ventilation area	12 cm²
Finish	Cat. No.
Polished chrome-plated	571.51.201

Order qty: 1 pc

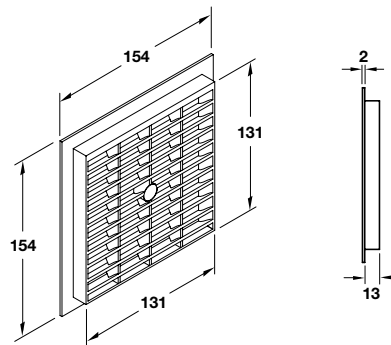


Ventilation grill

- For recess mounting
- Press fitting
- With flanged rim
- Plastic

Ventilation area	45 cm²
Finish	Cat. No.
Polished chrome-plated	571.52.208

Order qty: 1 pc



Ventilation grill

- For recess mounting
- Press fitting
- With flanged rim
- Plastic

Ventilation area	100 cm²
Finish	Cat. No.
White	571.64.717

Order qty: 1 pc

TCH 2013, © Häfele U.K. Ltd 2013. Dimensional data not binding. We reserve the right to alter specifications without notice.