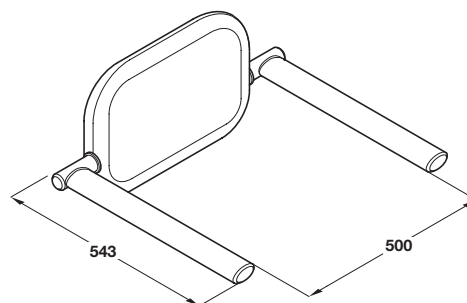




The shower seat is ideal for bathrooms where support is needed during bathing and where space is restricted. The shape ensures secure and pleasant showering

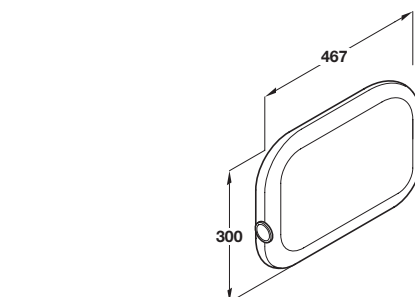


Back support and arm supports

- For use with shower seat
- Support made of polyurethane which feels warm and has soft round corners and soft edges to facilitate cleaning
- Arms, can be folded for ease of transfer to the seat, made of aluminium and steel
- Fixings included

Finish	Cat. No.
White, with blue trims	983.07.011

Order qty: 1 set

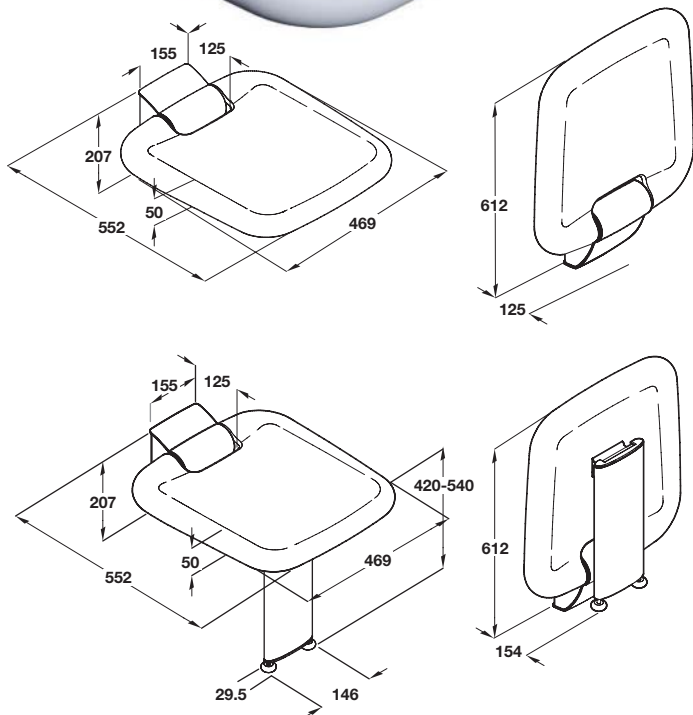


Back support

- For use with shower seat
- Made of polyurethane which feels warm and has soft round corners and soft edges to facilitate cleaning
- Fixings included

Finish	Cat.No.
White	983.07.010

Order qty: 1 set



Shower seat

- The shower seat is ideal for bathrooms where support is needed during bathing and where space is restricted. The shape ensures secure and pleasant showering.
- 2 versions available, without leg, gives a carrying capacity of **150 kg**, leg version increases the carrying capacity to **200 kg**
- The leg version can be mounted with sitting heights between 420 and 540 mm
- The seat is sealed polyurethane which feels warm and has soft round corners and soft edges to facilitate cleaning
- The seat can be folded up when not in use
- Fixings included
- Back support and back with arm supports to be ordered separately

Version	Cat. No.
Without leg	983.07.001
With leg	983.07.000

Order qty: 1 set

TCH 2013. © Häfele U.K. Ltd 2013. Dimensional data not binding. We reserve the right to alter specifications without notice.