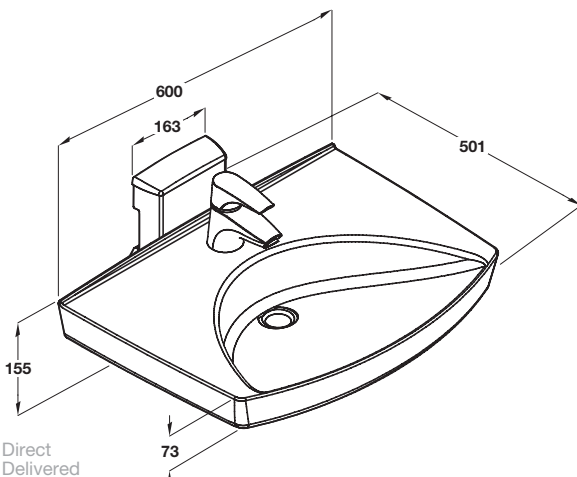


- **Height adjustable washbasin**
- For occasional adjustment
- To adjust, remove cover cap, insert flexible winding handle and wind to required height
- 200 mm height adjustment
- Cost effective adjustment by carers in Care Homes, Sheltered Housing or at home
- Flexible winding handle to be ordered separately but one may service complete project



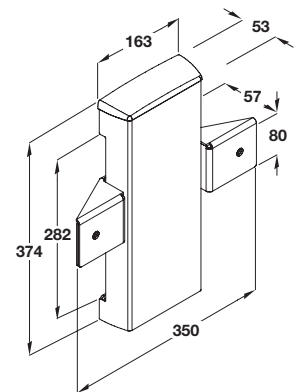
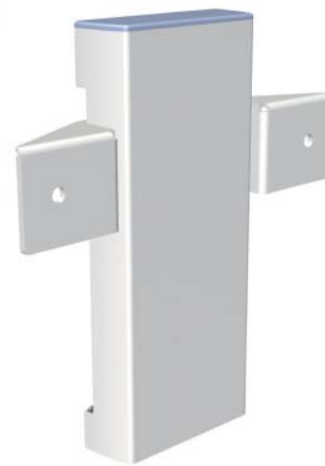
Direct Delivered

Height adjustable washbasin

- Height adjustable unit
- Consists of: Height adjustable unit (588.49.370 shown opposite) basin, polished chrome monobloc mixer tap and plumbing kit
- Manual height adjustment between 200 mm, through the use of flexible winding handle **588.49.374** - order separately
- Load carrying capacity **100 kg**
- Made from aluminium, steel, plastic and porcelain

Finish	Cat. No.
White	588.49.040

Order qty: 1 set



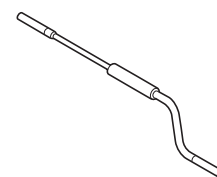
Direct Delivered

Height adjustable unit

- For use with bolt mountable basin of your choice
- Manual height adjustment between 200 mm, through the use of flexible winding handle **588.49.374** - order separately
- Load carrying capacity **100 kg**
- Aluminium framework

Finish	Cat. No.
White	588.49.370

Order qty: 1 set



Flexible winding handle

- For use with height adjustment unit
- Painted steel

Finish	Cat. No.
White	588.49.374

Order qty: 1 pc



Extending lever

- For ease of use with the monobloc tap
- Stainless steel

Finish	Cat. No.
Polished chrome	588.49.376

Order qty: 1 pc