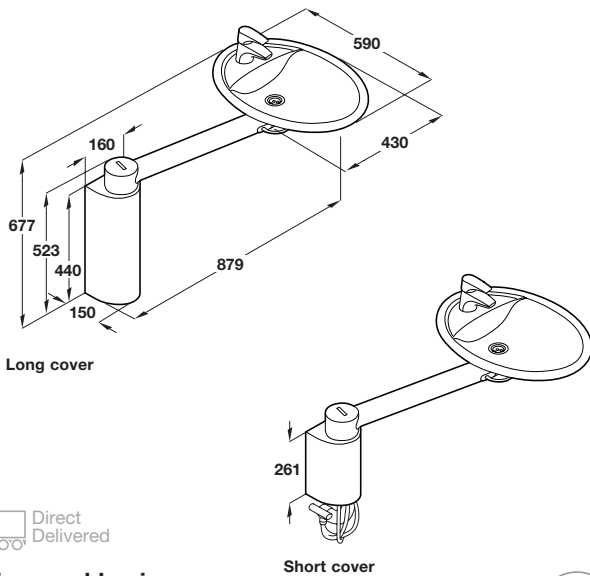


- A basin that swings into position to best suit the users needs
- A person can easily wash their hands whilst sitting on the toilet
- Space can be created for carers to help with transfers to the toilet or shower
- Makes small bathrooms accessible
- People with limited reach, can move the tap to the left or right, which ever is easiest



Long cover

Short cover



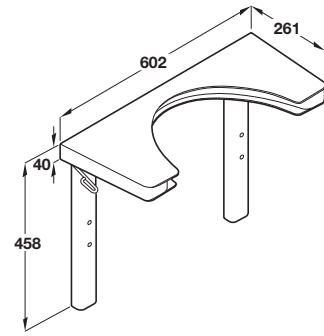
## Swing washbasin

- 2 versions available, fixed and height adjustable
- Height adjustable version with 150 mm adjustment
- Arms swing 180°, washbasin swings 180°
- Consists of: Basin, arm, cover, polished chrome monobloc mixer tap (requires 1.5 bars water pressure), fittings and plumbing kit
- With long or short covers. The long cover version may conceal the plumbing connections when plumbed through the floor or wall
- Swing washbasin is made from PUR foam, aluminium, stainless steel and surface steel, in white finish
- Swing washbasin is not to be used as a support or support aid



Version	Cover type	Cat. No.
Height adjustable	Long cover	588.49.003
Fixed height	Long cover	588.49.001
Height adjustable	Short cover	588.49.002
Fixed height	Short cover	588.49.000

Order qty: 1 set

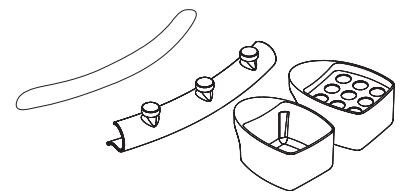


## Dock-in unit

- Provides a sense of security for users who need extra support
- Enables additional space to put items within reach
- Load carrying capacity **100 kg**
- Height adjustment 150 mm
- Made of surface treated steel, stainless steel and compact laminate

Finish	Cat. No.
White	588.49.390

Order qty: 1 set



## Accessory kit

- Flexible placement and use - the accessory kit can be positioned as desired on the basin and the trays can be clicked off and on as needed and cleaned
- Increased storage space
- Plastic

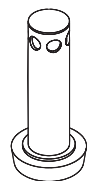
Finish	Cat. No.
Blue	588.49.396

Order qty: 1 set



## Plug with overflow

- Stainless steel/plastic



	Cat. No.
Plug with overflow	588.49.394

Order qty: 1 pc