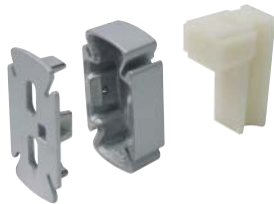


Shelf support brackets

- For wooden or glass shelves - for glass shelves order top clamp
- Shelves are screw fixed to support brackets, fixings included
- Height x width x depth: 24 x 33 x 150 mm
- Galvanized steel clamps slot onto profile, secured in place by screw
- Silver anodised aluminium support brackets with grey plastic trim plates

	Cat. No.
Shelf support brackets	814.31.920

Order qty: 1 pair



Wall bracket and corner joint set



- Set includes 1x wall bracket and 1x corner joint
- Wall bracket: Height x width x depth: 55 x 30 x 17 mm
For fixing horizontal profile to wall, fits on end of profile, fixings included
Silver anodised aluminium
- Corner joint: Overall height x width x depth: 50 x 23.5 x 36.5 mm
For connecting vertical profile to horizontal profile, slots into profiles, fixings included
White plastic

	Cat. No.
Wall bracket and corner joint set	814.31.900

Order qty: 1 set



Adjuster foot

- Fits on bottom of vertical profile, fixings included
- With 10 mm adjuster foot
- Height x width x depth: 11-21 x 30 x 55 mm
- Silver anodised aluminium with grey plastic foot

	Cat. No.
Adjuster foot	814.31.910

Order qty: 1 pc



Top clamps

- For clamping glass shelves in place
- Height x width x depth: 17 x 22 x 67 mm
- Galvanized steel clamps slot onto profile, secured in place by screw
- Silver anodised aluminium cover plates

	Cat. No.
Top clamps	814.31.930

Order qty: 1 pair



Wardrobe rail end supports

- For use with 15 mm wide wardrobe rails
- Rails slot into supports
- Height x width x depth: 33 x 27 x 51 mm
- Galvanized steel clamps slot onto profile, secured in place by screw
- Silver anodised aluminium supports with grey plastic trim plates

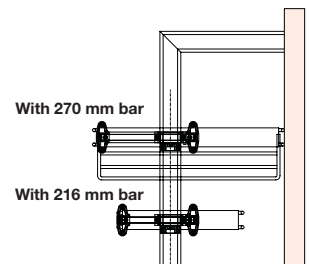
	Cat. No.
End supports	814.31.940

Order qty: 1 pair



Connector bracket for Vibo Dream range

- For connecting Vibo Dream pull out frame and units to Stilos profiles
- Height x width: 84 x 30 mm
- Galvanized steel clamps slot onto profile, secured in place by screw
- Fixings included
- Silver anodised aluminium cover plates
- **Please note:** Bar must be ordered separately

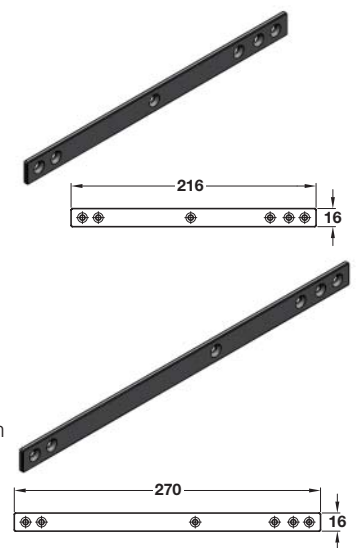


	Cat. No.
Connector brackets	814.31.950

Order qty: 1 pair

Bar

- For use with connector brackets for Vibo Dream range
- Two bar lengths with fixing holes to suit Vibo brackets:
Bar length 216 mm: Dream pull out units, pull out trouser rack, suit rack, tie and belt rack
Bar length 270 mm: Dream pull out frames
- Height x thickness: 16 x 3 mm
- Screw fix to connector brackets, **814.31.950** fixings included with brackets
- Silver anodised aluminium



Bar length	Cat. No.
216 mm	814.31.963
270 mm	814.31.965

Order qty: 1 pair

TCH 2013. © Häfele U.K. Ltd 2013. Dimensional data not binding. We reserve the right to alter specifications without notice.