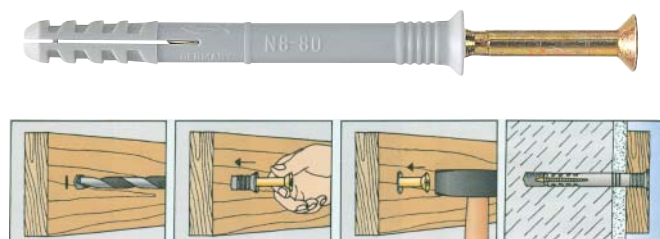


• Please order screws in multiples of order quantity shown

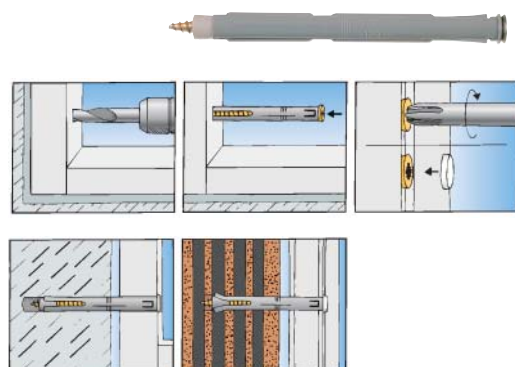


A Fischer Hammerfix N Z with zinc-plated drive screw

- **Suitable for:** Concrete, solid bricks, perforated bricks, hollow blocks, and aerated concrete (aircrete)
- **For fixing of:** Timber battens, frames, roof edge, wall connection or plaster profiles, skirting boards, wall angles, cable ducts, cable and pipe clips, sheets, etc.
- Pre-assembled

Type	Drill Ø (mm)	Min. hole depth (mm)	Plug length (mm)	Screw size (mm)	Cat. No.
N6 x 60 Z	6	75 mm	60	4 x 64	051.41.015
N8 x 80 Z	8	95 mm	80	5 x 85	051.41.024
N8 x 100 Z	8	115 mm	100	5 x 105	051.41.033
N8 x 120 Z	8	135 mm	120	5 x 125	051.41.040

Order qty: Multiples of 50 pcs



B Fischer window fixing TL

- With zinc-plated wood screw for pozi bit size 2 or 3
- Includes white caps
- Pre-assembled

Type	Drill Ø (mm)	Min. hole depth (mm)	Max. frame thickness (mm)	Screw size (mm)	Cat. No.
TL PVCu FIX 8x100	8	115 mm	50 mm	8 x 100	051.76.001
TL PVCu FIX 8x120	8	135 mm	70 mm	8 x 120	051.76.002
TL PVCu FIX 10x100	10	115 mm	40 mm	10 x 100	051.76.005
TL PVCu FIX 10x120	10	135 mm	60 mm	10 x 120	051.76.006

Order qty: Multiples of 50 pcs

C Window screws

- For fixing window furniture to unreinforced single and multi-channel sections
- Countersunk, with cut point
- A2 stainless steel

Size	Cat. No.
4.8 x 23 mm	029.02.016
4.8 x 35 mm	029.02.017

Order qty: Multiples of 200 pcs

D Window screws

- Universal friction stay screws
- Shallow pan and self drilling point
- Stainless steel

Size	Cat. No.
4.8 x 16 mm	029.03.014
4.8 x 23 mm	029.03.016

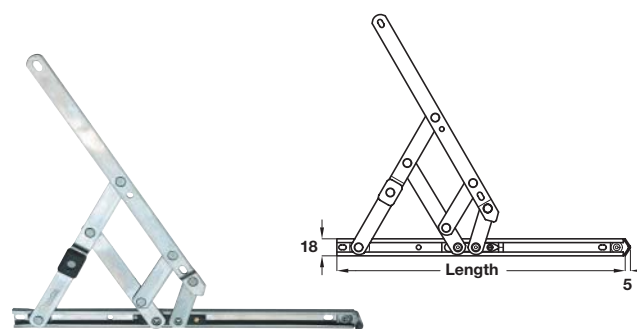
Order qty: Multiples of 200 pcs

E Window screws

- For fixing window friction hinges to unreinforced framed uPVC
- Shallow pan, single course point
- Stainless steel

Size	Cat. No.
4.8 x 25 mm	029.04.016

Order qty: Multiples of 200 pcs



F Standard friction hinge, for side hung windows

- Unhanded
- Symmetrical hinge end-cap all metal construction, riveted on to the hinge for extra strength
- Range of sizes 305 mm (12") and 406 mm (16")
- Stay parts: Ferritic stainless steel grade 430
- Friction slide: Glass-filled nylon
- Adjustment screws: Brass

For side hung windows					
Size (Length)	Maximum vent width	Maximum vent height	Opening weight	Opening angle	Cat. No.
305 mm (12")	550 mm	1200 mm	20 kg	60°	911.59.137
406 mm (16")	750 mm	1200 mm	21 kg	60°	911.59.138

Order qty: 1 pair

TCH 2013. © Häfele U.K. Ltd 2013. Dimensional data not binding. We reserve the right to alter specifications without notice.