

### A SL retractable clear threshold seal

- Suitable for timber doors
- Lift height 20 mm
- Fixed on side with stainless steel bracket and screws
- Includes adjustable floor guide
- Compact space-saving solution with inter-grated floor guiding groove
- Automatic compensation for inclined floor
- No push back on closing
- Acoustic rating of 48dB at 7 mm floor to door clearance
- Can be shortened to next stock length
- High grade silicone lip, protected by deeper rebate
- Simple lift height adjustment
- 5 year warranty
- End cap included
- Aluminium, clear anodised, stainless steel stop plate
- **Also available** in lengths down to 585 mm and up to 1600 mm long, subject to quantity

Overall length	Minimum cut length	DIN Left hand	DIN Right hand
835 mm	710 mm	950.10.022	950.10.032
960 mm	835 mm	950.10.023	950.10.033
1085 mm	960 mm	950.10.024	950.10.034
1210 mm	1085 mm	950.10.025	950.10.035
1335 mm	1210 mm	950.10.026	950.10.036

Order qty: 1 pc

**Note:** When fitting the brush seals, ensure that you do not "over bend" the filaments. A "touch fit" plus 2 mm will provide adequate flex to seal the filament pile

### B Brush seal, mortice pattern

- 2.1 m length, mortice pattern
- Normally fixed to bottom of door
- Aluminium carrier, nylon filament brush

Brush length	Gap	Cat.No.
6 mm	4-6 mm	950.07.419
10.3 mm	8-10 mm	950.07.269
16 mm	14-16 mm	950.07.389

Order qty: 1 pc

### C Brush seal, surface pattern

- 2.1 m length, face fixing
- Fixed to timber or metal doors
- Aluminium carrier, nylon brush filament

Brush length	Gap	Cat. No.
10.3 mm	8-10 mm	950.07.369
15.9 mm	13.5-15.5 mm	950.07.279
25.4 mm	23-25 mm	950.07.439

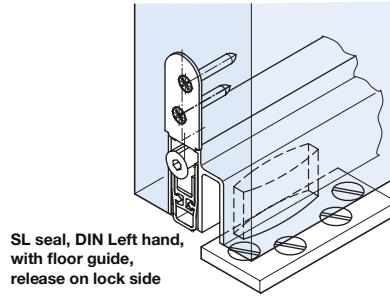
Order qty: 1 pc

### D Brush seal, surface 45° angled pattern

- 2.1 m length, face fixing
- Fixed to timber or metal doors
- Aluminium carrier, nylon filament brush

Brush length	Gap	Cat. No.
10.3 mm	4-6 mm	950.07.379
15.9 mm	9-11 mm	950.17.509

Order qty: 1 pc



SL seal, DIN Left hand, with floor guide, release on lock side



Photograph shows left hand

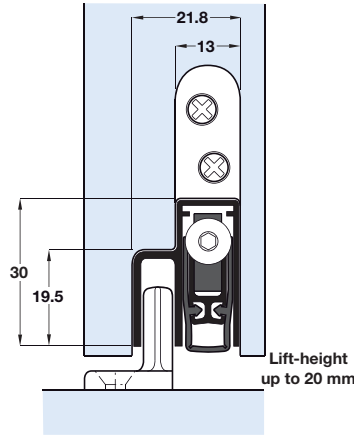


Illustration shows right hand

