

D Foldaside projection hinge, 102 x 102 mm

- For frame to panel joints. Thrust bearing washers to each joint. Satin stainless steel or electrophoretic brass-plated

BS EN 1935 grade 13	Cat. No.
Satin	921.08.168
Brass-plated	926.91.018

Order qty: 1 pc

E Brass projection hinge

- 102 x 102 mm. Double phosphor bronze washers with brass pin

Max. adj weight	40 kg
Polished	921.08.060

Order qty: 10 pcs

F Foldaside hinge, 102 x 76 mm

- For panel to panel joints. Thrust bearing washers to each joint. Satin or polished stainless steel or electrophoretic brass-

BS EN 1935 grade 13	Cat. No.
Satin stainless steel	921.08.140
Polished stainless steel	926.91.041
Brass-plated	921.08.159

Order qty: 1 pc

G Brass DPBW butt hinge

- Double phosphor bronze washers. Brass pin. Max. adjusted door weight 60 kg. Brass

Length x width	102 x 75 mm
Polished brass	926.90.118

Order qty: 1 pc

H Twin ball catch

- To act as holdback catch on access door or to prevent door panel drift. Tension adjustable with a screw-driver. Solid chrome steel balls. Brass catch and counterpiece

Finish	Cat. No.
Bright brass	244.20.017
Nickel-plated	244.20.639

Order qty: 1 pc

I Flush handle

- Fixing screws included. Brass

Finish	Cat. No.
Polished brass	910.37.035
Satin nickel plated	910.37.044

Order qty: 1 pc

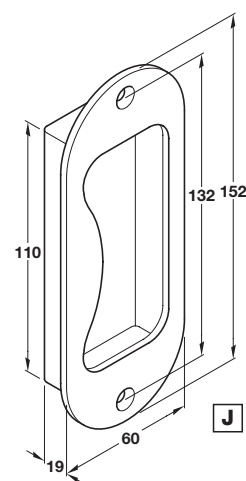
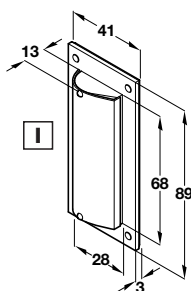
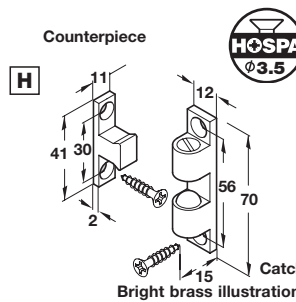
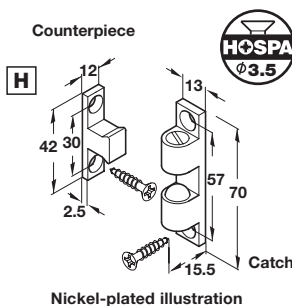
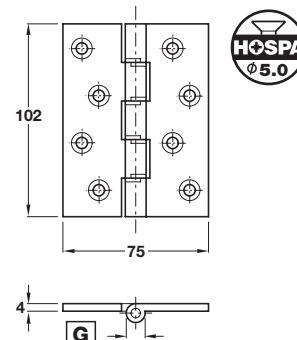
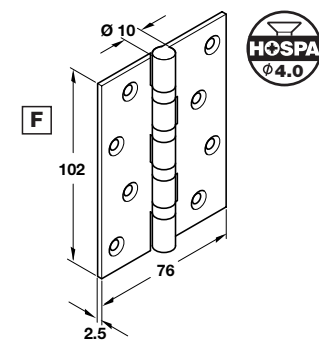
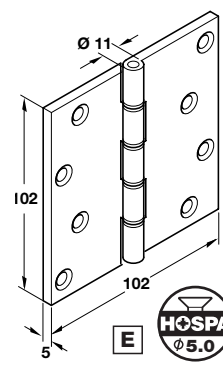
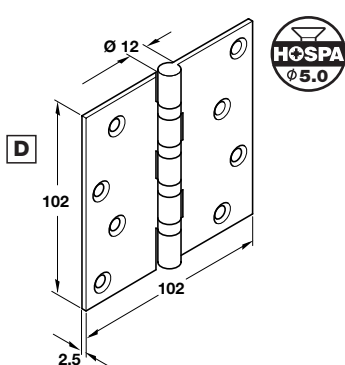
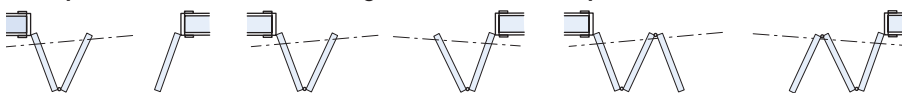
J Flush handle

- Normally used where door thickness is 50 mm or more. Fixing screws included. Stainless steel

Finish	Cat. No.
Satin	902.04.320
Polished	902.04.321

Order qty: 1 pc

Examples of alternative door arrangements. All doors equal width



TCH 2013. © Häfele U.K. Ltd 2013. Dimensional data not binding. We reserve the right to alter specifications without notice.