

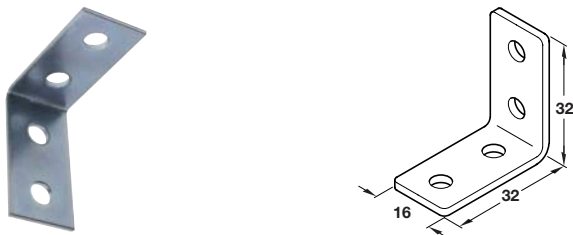
A Chair bracket

- Screw fixing
- 2 mm thick
- Steel



Dim. A x B	Dim. C	Screw size	Yellow chromated	Stainless Steel
With 4 fixing holes				
25 x 25 mm	15 mm	3.0 mm	260.28.502	260.28.002
40 x 40 mm	15 mm	3.0 mm	260.28.504	260.28.004
50 x 50 mm	15 mm	3.0 mm	260.28.505	260.28.005
60 x 60 mm	18 mm	3.5 mm	260.28.506	-
80 x 80 mm	18 mm	3.5 mm	260.28.508	260.28.008
With 6 fixing holes				
100 x 100 mm	18 mm	3.5 mm	260.28.510	-

Order qty: Multiples of 50 pcs



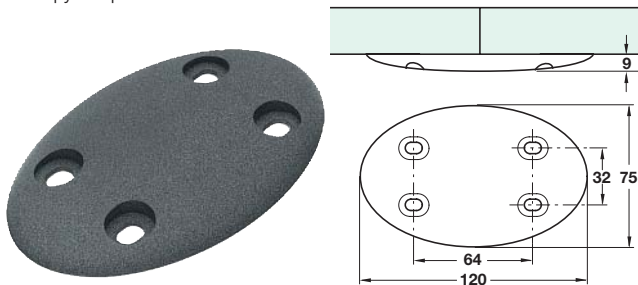
B Chair bracket

- Screw fixing
- 1.2 mm thick
- Mild steel



Finish	Cat. No.
Galvanised	260.28.972

Order qty: 1 pc

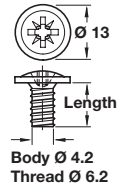


C Modular table top connecting fitting

- Designed to prevent clothing damage or injury by sharp edges and fixing screw heads
- Ø 7 mm screw holes
- Powder coated zinc
- Order screw D separately

Finish	Cat. No.
Grey	642.43.300

Order qty: 1 pc

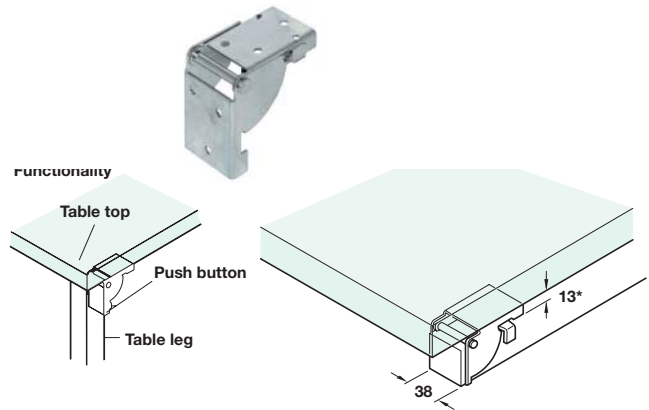


D Panel mounting screw

- For Ø 5 mm drilled hole
- Flat head with PZ cross slot
- For use with PZ2 bits
- Galvanized steel

Length	Cat. No.
14 mm	013.10.149
28 mm	013.10.283

Order qty: Multiples of 100 pcs



*13 = Installation height of folded fitting

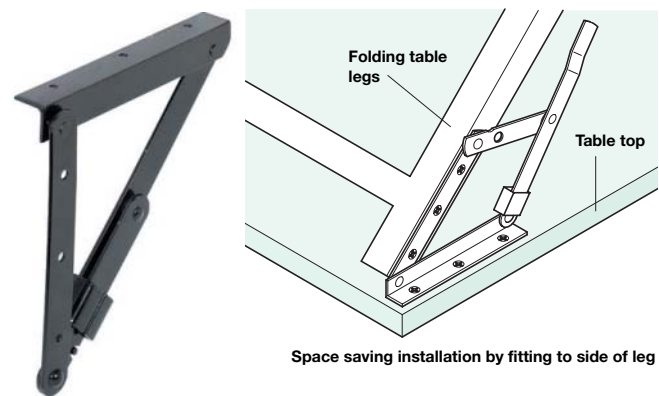
E Folding bracket

- For tables and benches
- For 38 x 38 mm legs
- For screw fixing
- Locks in position, open and closed



Finish	Cat. No.
Galvanized steel	642.90.919

Order qty: 1 pair



F Folding bracket

- For tables and benches
- Profile dimensions: 25 x 25 x 3 mm
- Support arm length: 200 mm
- Screw fixing at the side
- Can be secured with safety sleeve
- Steel



Finish	Cat. No.
Powder coated black	642.81.300

Order qty: 1 pair