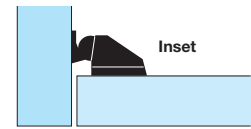
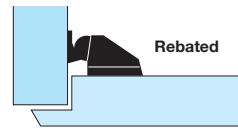
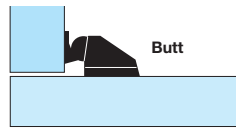


Catches

Roller Catches

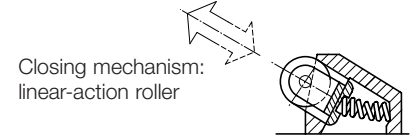
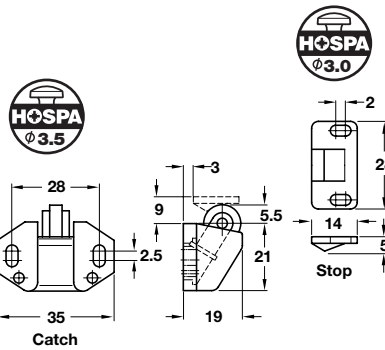
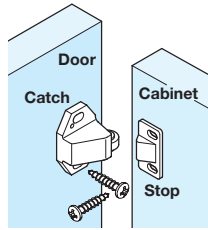
Roller catches

- Can be mounted on butt, rebated or inset closing doors



A Roller catch

- Screw fixing
- Plastic catch and stop
- Nylon roller



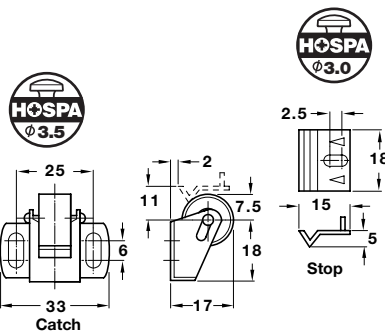
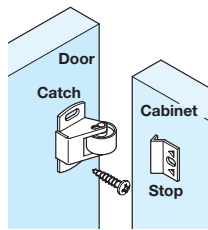
Finish	Cat. No.
White	243.15.704
Brown	243.15.106

Order qty: Multiples of 10 pcs

5

B Roller catch

- Screw fixing
- Steel catch and stop
- Nylon roller



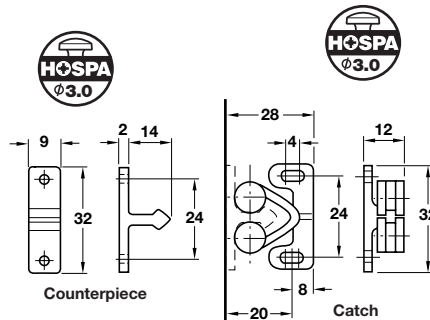
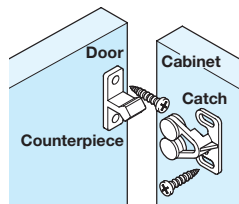
Finish	Cat. No.
Nickel-plated	+ 241.01.719

Order qty: Multiples of 10 pcs

Catches, Latches and Bolts

C Twin roller catch, spring loaded

- Screw fixing
- Nylon catch and counterpiece
- Nylon roller

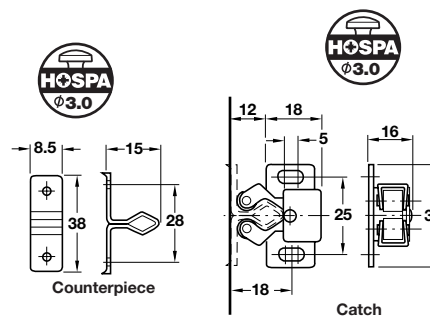
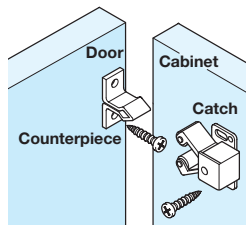


Finish	Cat. No.
Brown	244.03.100
Natural	244.03.700

Order qty: Multiples of 10 pcs

D Twin roller catch, spring loaded

- Screw fixing
- Steel catch and counterpiece
- Nylon roller



Discontinued •
Discontinued when stock = 0 +



Finish	Cat. No.
Galvanized	• 244.01.901
Bronzed	244.01.113

Order qty: Multiples of 30 pcs

Discontinued
For 244.01.901 use alt. no. 244.01.903