



**Moulded plastic drawer system**

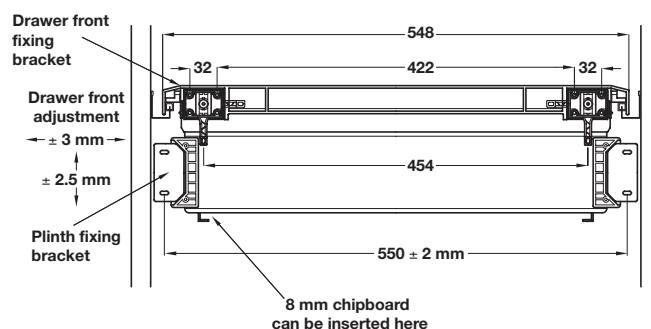
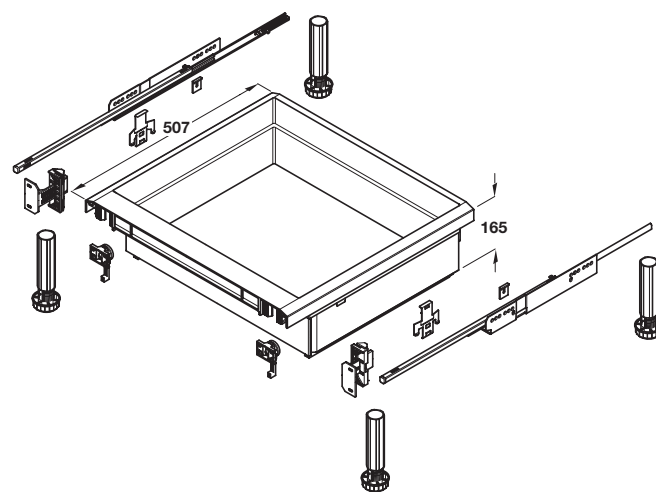
Complete set includes 507 mm grey moulded plastic drawer, Dynamic runners, plinth feet and drawer front fixings.

**Under oven drawer set**

- Fits beneath a single built-under oven, utilising the bottom of the cabinet and the plinth
- For 600 mm cabinet width
- Runners are completely concealed beneath the drawer base and cannot be seen when fully extended
- Runners are for 19 mm board thickness, plastic spacers are included for other board thicknesses
- Set includes:
  - 1x Drawer**, aluminium/grey coloured plastic, designed to accept 8 mm chipboard base if required **Text amended**
  - 1x Pair Dynamic runners**, galvanized steel, full extension, soft closing runners, load capacity 30 kg
  - 2x Drawer front fixing brackets**, white plastic, screw fixed to drawer front and locked in place by turning lever
  - 2x Plinth fixing brackets**, white plastic, with 45 mm adjustment
  - 2x Runner fixing clips**, white plastic. To be fitted within drawer side either in 15/16 or 18/19 mm position
  - Spacers**, white plastic, 2 each 1 and 3 mm thickness included for use with runners where board thicknesses are other than 19 mm
  - 4x Plinth feet**, includes adaptors to fit underneath the cabinet sides

| For cabinet width | Cat. No.   |
|-------------------|------------|
| 600 mm            | 558.61.536 |

Order qty: 1 set



TCH-FF 2010, HUK. Dimensional data not binding. We reserve the right to alter specifications without notice.