

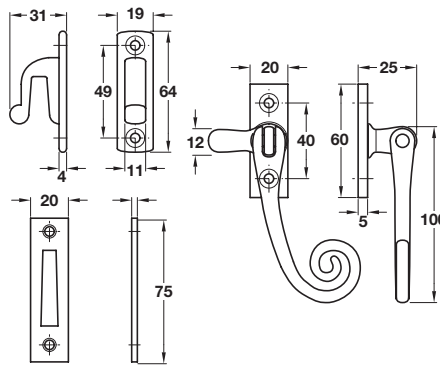
Note: Due to the manufacturing process, the dimensions given may vary.

A Casement fastener, mortice and hook plate

- Reversible
- Choice of mortice or hook plated included:
Mortice plate; for standard rebated frames
Hook plate; for flush frames or double windows
- Matching stay, see item C
- Fixing screws included
- Black or pewter powder coated malleable iron

Finish	Cat. No.
Black	970.02.683
Pewter	970.02.689

Order qty: 1 pc



Kirkpatrick



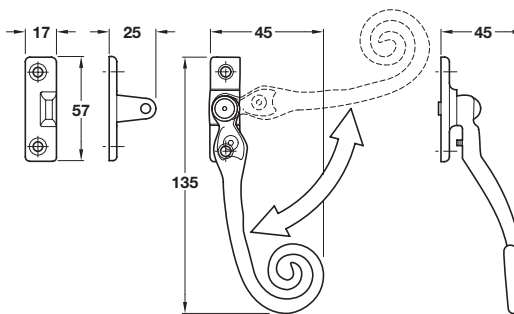
Black finish

B Casement fastener, wedge plate, locking

- Handed
- Wedge plate and key included
- Designed for use with standard rebated frames
- Matching stay, see item C
- Fixing screws included
- Black or pewter powder coated malleable iron

Finish	Left hand	Right hand
Black	911.59.139	911.59.180
Pewter	970.02.769	970.02.779

Order qty: 1 pc



Black finish, right hand version shown

Kirkpatrick



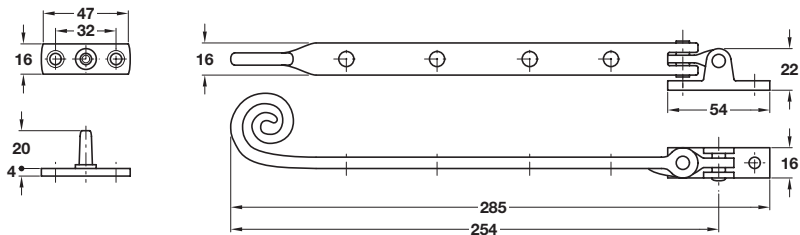
Black finish

C Casement stay

- Two pins included
- Fixing screws included
- Matching fastener, see item A or B
- Black or pewter powder coated malleable iron

Finish	Cat. No.
Black	970.02.693
Pewter	970.02.699

Order qty: 1 pc

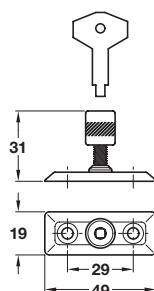


D Locking pin

- To suit casement stay, item C
- Key included
- Fixing screws included
- Black or pewter powder coated malleable iron

Finish	Cat. No.
Black	970.02.643
Pewter	970.02.649

Order qty: 1 pc



Kirkpatrick



Black finish