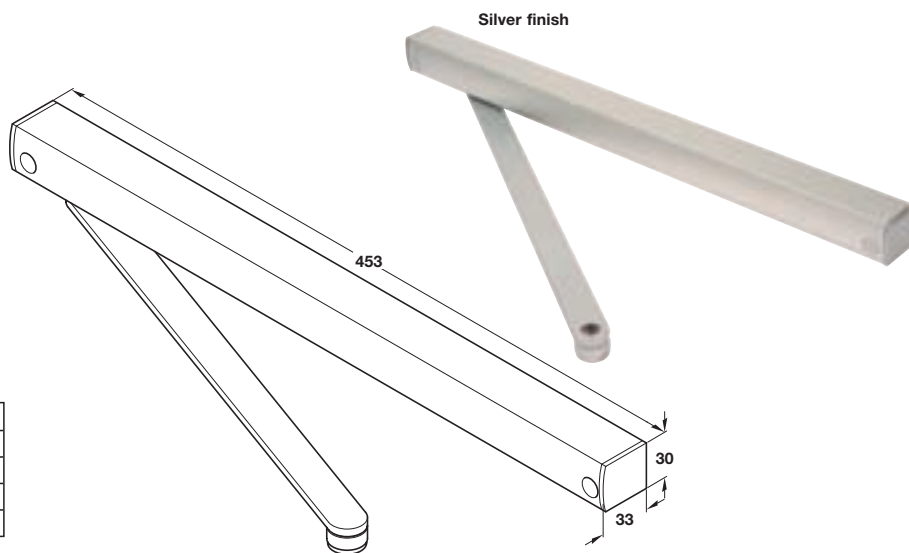


A T-stop guide rail fig 1

- To suit closers on pages 4, 5, 8, 9, 10, 11, 12, 13, 14, 17, 18, 20 and 21
- To be fitted in place of standard guide rail
- Acts as a door stop in lieu of floor mounted stop
- Guide rail - Aluminium
- Arm - Mild steel

Finish	Cat. No.
Silver	931.11.169
Satin stainless steel	931.11.160
Polished stainless steel	931.11.161
Polished brass	931.11.168

Order qty: 1 pc

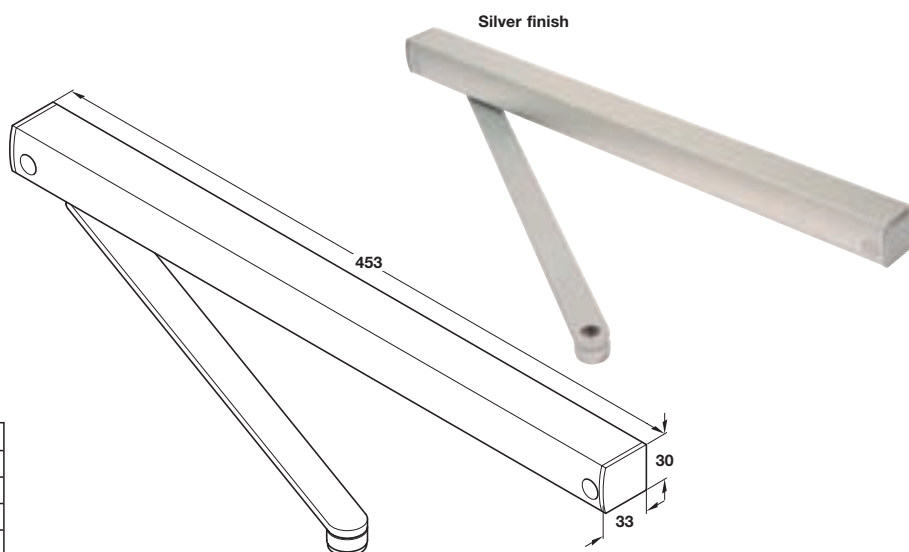


B T-stop guide rail fig 66

- To suit closers on pages 4, 5, 8, 9, 10, 11, 12 and 13
- To be fitted in place of standard guide rail
- Acts as a door stop in lieu of floor mounted stop
- Guide rail - Aluminium
- Arm - Mild steel

Finish	Cat. No.
Silver	931.11.159
Satin stainless steel	931.11.150
Polished stainless steel	931.11.151
Polished brass	931.11.158

Order qty: 1 pc

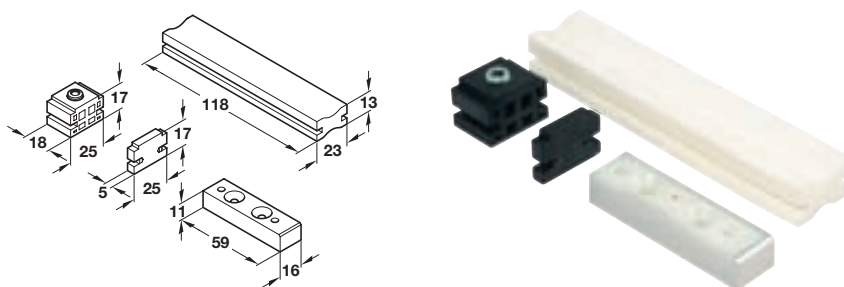


C Mechanical back check

- To suit closers on pages 12, 13, 17, 18, 20 and 21
- Fits within the guide rail
- Buffer acts as back check to all guide rail closers

Cat. No.	931.10.120
----------	------------

Order qty: 1 set



D Mechanical hold open insert

- To suit closers on pages 4, 5, 8, 9, 10, 11, 12, 13, 14, 17, 18, 20 and 21
- Fits within the guide rail
- Allows infinitely variable hold-open between 80° and 130°
- Not to be used on fire doors

Cat. No.	931.10.110
----------	------------

Order qty: 1 pc

