

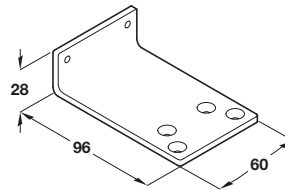
### A Parallel arm bracket

- Converts fig 1 closer to fig 66
- **Note:** Parallel arm brackets are included with all closers shown on pages **6, 7, 15, 16, 19, 22** and **23 (item A)** but not included with **TS 1000 closer** shown on page **23 (item B)**
- Electro-lated mild steel\*

Bracket 931.16.329 shown

Finish	Cat. No.
To suit closers on pgs <b>6, 7, 15, 16, 19, 22, 23(A):</b>	
Silver	931.16.329
Satin stainless steel*	931.16.320
Polished stainless steel*	931.16.326
Polished brass	931.16.328
To suit closers on page <b>23 (item B):</b>	
Silver	931.16.459

Order qty: 1 pc



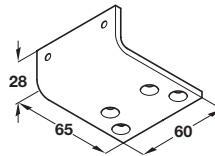
### B Architrave bracket

- To suit closers on pages **6, 7, 15, 16, 19** and **22**
- To be used where a fig. 1 bracket would not be acceptable or practicable (i.e. decorative architrave)
- Electro-plated mild steel\*

Silver finish shown

Finish	Cat. No.
Silver	931.16.439
Satin stainless steel*	931.16.430
Polished stainless steel*	931.16.436
Polished brass*	931.16.438

Order qty: 1 pc



6

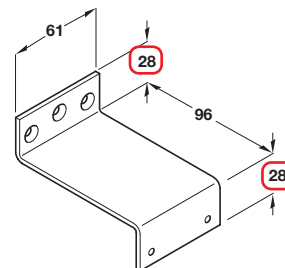
### C Overpanel bracket

- To suit closers on pages **6, 7, 15** and **16**
- To be used where overpanels to doors are specified
- Electro-plated mild steel\*

Silver finish shown

Finish	Cat. No.
Silver	931.16.449
Satin stainless steel*	931.16.440
Polished stainless steel*	931.16.441

Order qty: 1 pc



**Catalogue shows 25 mm  
Correct dimensions are 28 mm**

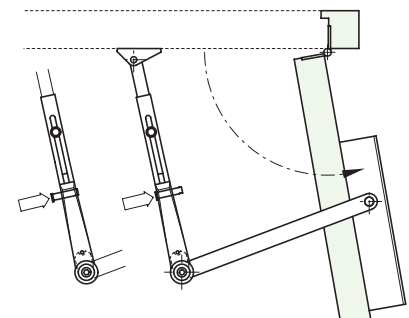
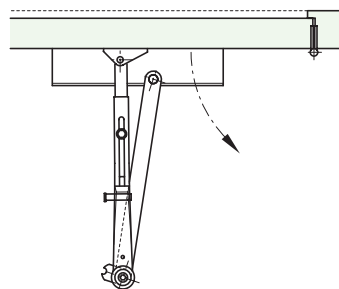


### D Hold open arm

- To suit closers on pages **6, 7, 15** and **16**
- Converts standard closer to hold open engageable/disengageable
- **NOT to be used on fire doors**
- Steel. Silver sprayed

Cat. No.	940.01.975
----------	------------

Order qty: 1 pc

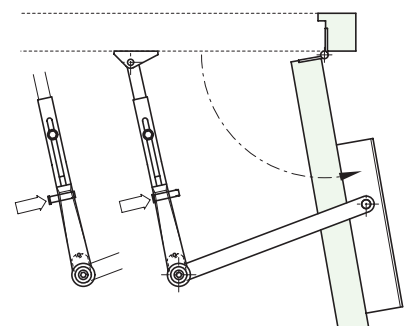
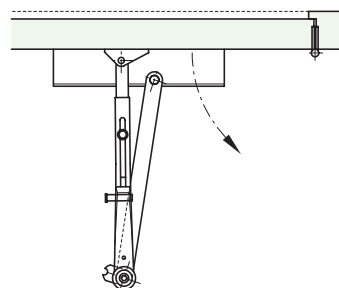


### E Hold-open arm

- To suit closers on pages **19, 22** and **23**
- Converts standard closer to hold open
- **NOT to be used on fire doors**
- Steel. Silver sprayed

Cat. No.	931.16.689
----------	------------

Order qty: 1 pc



TCH-A1 2008, HUK. Dimensional data not binding. We reserve the right to alter specifications without notice.