

# Door Holders

## Foot Operated

**Important:** The logo shown indicates the type and size of screw required, which must be ordered separately

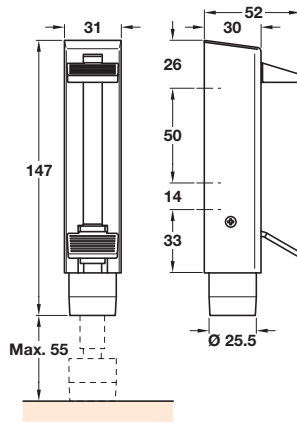


### A Foot operated door holder

- To operate, depress upper lever
- To release, depress lower lever
- Max. throw **55 mm**
- Fixings included
- Rubber foot
- Stainless steel or mild steel case
- Stainless steel or mild steel bolt

Finish	Cat. No.
Satin stainless steel	938.00.100
Silver	938.00.101

Order qty: 1 pc



Silver finish



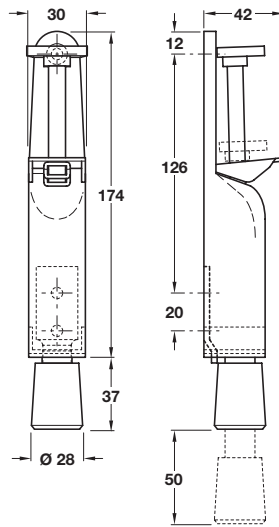
4

### B Foot operated door holder

- To operate, depress upper lever
- To release, depress lower lever
- Max. door weight **40 kg**
- Max. throw **50 mm**
- Fixings included
- Rubber foot
- Stainless steel or mild steel case
- Stainless steel or mild steel bolt

Finish	Cat. No.
Satin stainless steel	938.02.000
Silver	938.02.001

Order qty: 1 pc



Satin stainless steel finish

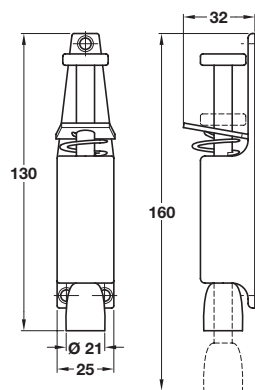


### C Foot operated door holder

- To operate, depress bolt
- To release, depress lower lever
- Max. door weight **30 kg**
- Max. throw **30 mm**
- Fixings are not included
- Rubber foot
- Mild steel case
- Mild steel bolt, galvanized

Finish	Cat. No.
Silver painted	938.19.009
Polished brass	938.19.008

Order qty: 1 pc



Silver painted finish

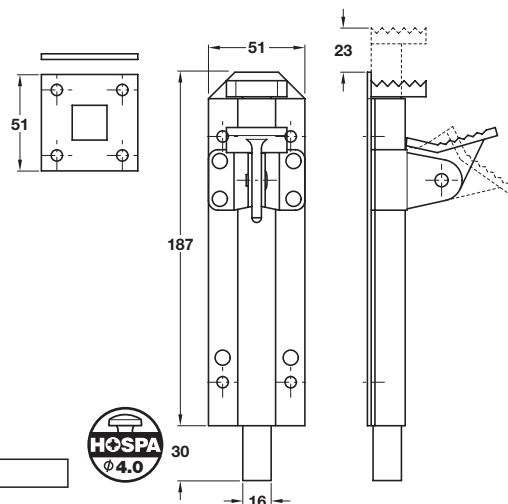


### D Foot operated door bolt

- To operate, depress upper lever
- To release, depress lower lever
- Max. throw **30 mm**
- Flat plate included
- Fixings are not included
- Mild steel, galvanized

Cat. No.	938.15.009
----------	------------

Order qty: 1 pc



Galvanized steel finish



TCH-A1 2008, HUK. Dimensional data not binding. We reserve the right to alter specifications without notice.