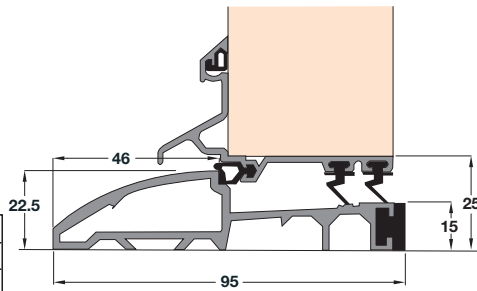


### A Threshold seal, severe rating

- Suitable for hinged doors, opening in
- Suitability: Commercial and public buildings, residential, severe exposure, normal site conditions, wheelchair and trolleys, domestic vehicle
- Complies with regulation M (Part T- Scotland)
- Tested to BSI to BS 6375 part 1 Class C - achieving 1000 pascals
- Easy fit, no notching
- Fitting tolerance 6 mm
- Ends protected by weather deflecting end caps
- Unique thermal break prevents cold transfer
- Fixing screws included
- Aluminium with EPDM seals



Length	Cat. No.
914 mm	950.17.211
1828 mm	950.17.212

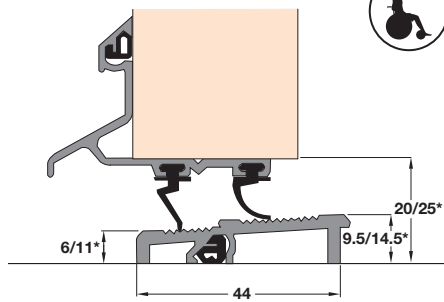
Order qty: 1 pc

**Items A, B, C and D.**  
Photograph shows gold finish,  
actual finish is aluminium



### B Threshold seal, normal rating

- Suitable for hinged doors, opening in and out
- Suitability: Industrial, commercial and public buildings, residential, normal site conditions, wheelchair and trolleys, domestic vehicle
- Complies with regulation M
- Fitting tolerance 4 mm
- No seal underfoot to be damaged
- No gutter to collect water or dirt
- Ends protected by weather deflecting end caps
- Fixing screws included
- Aluminium with EPDM seals



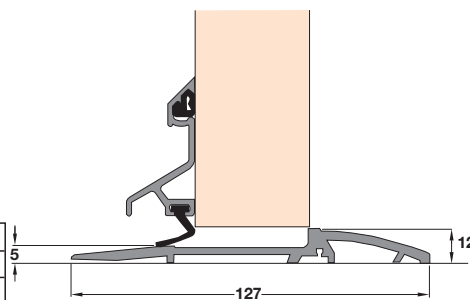
Clearance	914 mm	1828 mm
20mm	950.17.221	950.17.222
25mm	950.17.231	950.17.232

Order qty: 1 pc



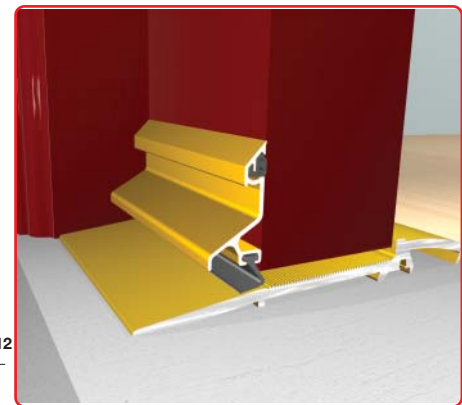
### C Threshold seal, normal rating

- Suitable for hinged doors opening in and out
- Suitability: Industrial, commercial and public buildings, normal site conditions, forklift, wheelchair and trolleys, commercial and domestic vehicle
- Designed for use with panic bolts on emergency doors, 4 mm thick profiled upstand secures bottom shoot
- Low profile, 12 mm upstand
- Fitting tolerance, subject to installation
- Ends protected by weather deflecting end caps
- Fixing screws included
- Aluminium with EPDM seals



Length	Cat. No.
1000 mm	950.17.241
1828 mm	950.17.242

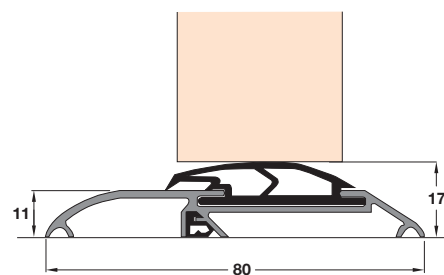
Order qty: 1 pc



**Item D.**  
Catalogue shows...  
'Length 1866 mm'  
Correct dimension is 1829 mm

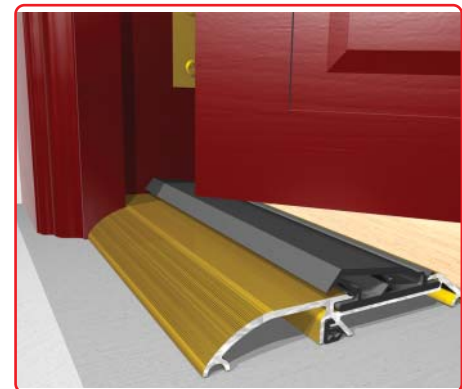
### D Threshold seal

- Suitable for hinged doors opening in and out
- Suitability: Residential, normal site conditions, wheelchair and trolleys, domestic vehicle
- Complies with regulation M
- Fitting tolerance 4 mm
- Does not present an obstacle to wheeled traffic - ideal for disabled
- Unique design eliminates need to rebate door
- Fixing screws included
- Aluminium, EPDM seal



Length	Cat. No.
933 mm	950.17.251
1829 mm	950.17.252

Order qty: 1 pc



23.03.09/2\*