

Stainless Steel Butt Hinges

Phoenix Range - Concealed Bearing, Lift-Off

These hinges have obtained Certifire approval.
Maintenance free, 25 year performance guarantee.
Fixings for timber included. Certifire rating for timber.



Refer to pages 2-3 for information on BS EN 1935, hinge grades and classification

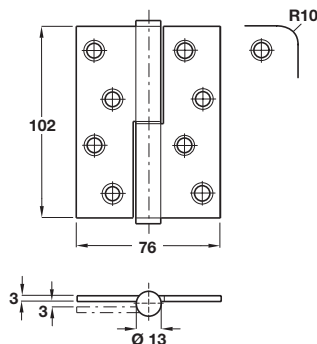
A Stainless steel, concealed bearing, lift-off hinge

- Staggered hole pattern
- Grade 13 BS EN 1935
- Maximum adjusted door weight 120 kg
- Minimum door thickness 35 mm
- Square and radius corners
- Maintenance free
- 25 year performance guarantee
- Certifire approved; certificate no. CF351 30 mins
- Ø 5.5 x 30 mm wood screws included
- Grade 304 stainless steel

Length x width	102 x 76 mm	
Square corners	Satin	Polished
Clockwise closing	926.91.240	926.91.241
Anti-clockwise cl.	926.91.242	926.91.243
Radius corners	Satin	Polished
Clockwise closing	926.91.250 +	926.91.251
Anti-clockwise cl.	926.91.252 +	926.91.253 +

Order qty: 1 pc

BS EN 1935



Satin stainless steel finish shown
Anti-clockwise closing
Square corners

Discontinued ●

Discontinued when stock = 0 +

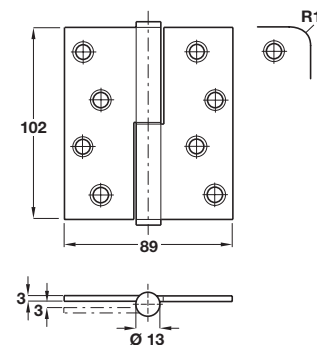
B Stainless steel, concealed bearing, lift-off hinge

- Staggered hole pattern
- Grade 13 BS EN 1935
- Maximum adjusted door weight 120 kg
- Minimum door thickness 44 mm
- Square and radius corners
- Maintenance free
- 25 year performance guarantee
- Certifire approved; certificate no. CF351 30 mins
- Ø 5.5 x 30 mm wood screws included
- Grade 304 stainless steel

Length x width	102 x 89 mm	
Square corners	Satin	Polished
Clockwise closing	926.91.260	926.91.261
Anti-clockwise cl.	926.91.262	926.91.263
Radius corners	Satin	Polished
Clockwise closing	926.91.270	926.91.271
Anti-clockwise cl.	926.91.272	926.91.273

Order qty: 1 pc

BS EN 1935



Satin stainless steel finish shown
Anti-clockwise closing
Square corners

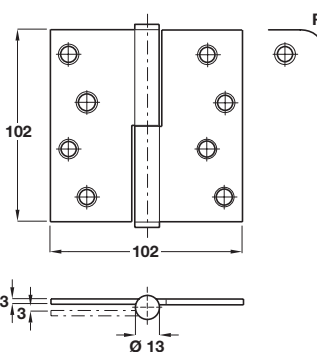
C Stainless steel, concealed bearing, lift-off hinge

- Staggered hole pattern
- Grade 13 BS EN 1935
- Maximum adjusted door weight 120 kg
- Minimum door thickness 44 mm
- Square and radius corners
- Maintenance free
- 25 year performance guarantee
- Certifire approved; certificate no. CF351 30 mins
- Ø 5.5 x 30 mm wood screws included
- Grade 304 stainless steel

Length x width	102 x 102 mm	
Square corners	Satin	Polished
Clockwise closing	926.91.280	926.91.281
Anti-clockwise cl.	926.91.282	926.91.283
Radius corners	Satin	Polished
Clockwise closing	926.91.290	926.91.291
Anti-clockwise cl.	926.91.292	926.91.293

Order qty: 1 pc

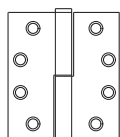
BS EN 1935



Satin stainless steel finish shown
Anti-clockwise closing
Square corners

Variants available to order, subject to quantity:

ANSI hole pattern
Also available in grade 316 stainless steel or mild steel.



ANSI hole pattern

23.11.11/1