

These fittings are manufactured from grade 316 stainless steel. They are suitable for use in external situations, damp environments and clean areas and are particularly suited to coastal locations where mild steel fittings would be prone to corrosion.

Important: The logo shown indicates the type and size of screw required, which must be ordered separately



Regular lubrication required, unless marked 'maintenance free'.
Fixing screws are not included.

Discontinued ●

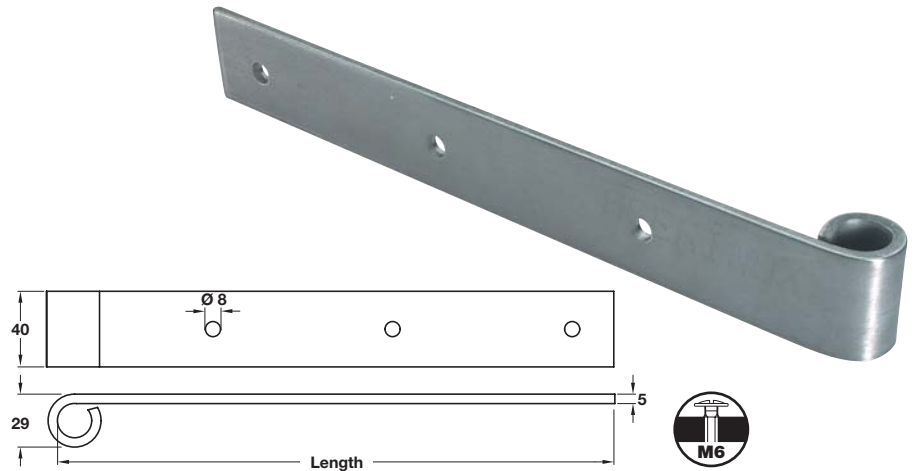
Discontinued when stock = 0 +

A Stainless steel strap hinge

- 40 x 5 mm section
- To take Ø 16 mm pin
- Fixings not included, M6 coach screws required
- Order hinge pin **B** or **C** separately, to suit
- Grade 316 stainless steel, brushed finish

Length	Cat. No.
300 mm	926.87.060
500 mm	926.87.070
700 mm	926.87.080
900 mm	926.87.090

Order qty: 1 pc



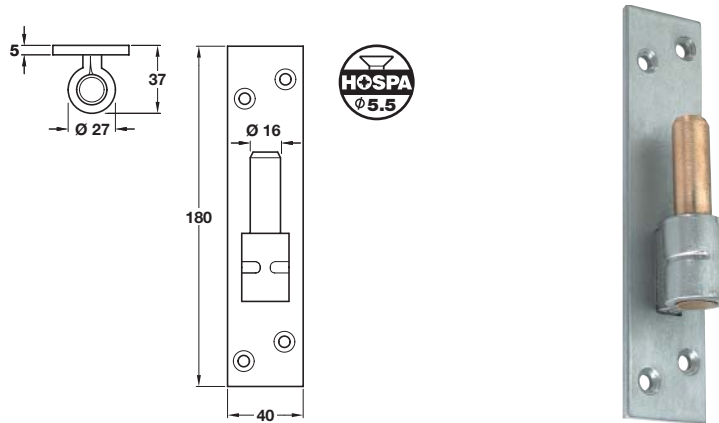
3

B Stainless steel hinge pin

- Vertical plate
- Ø 16 mm brass pin
- Fixings not included, Ø 5.5 mm countersunk wood screws required
- To suit strap hinge **A**
- Grade 316 stainless steel with brass pin

Finish	Cat. No.
Brushed stainless steel	926.87.020

Order qty: 1 pc

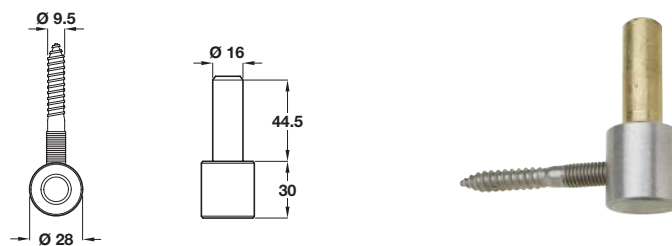


C Stainless steel hinge pin

- Screw in
- Ø 16 mm brass pin
- To suit strap hinge **A**
- Grade 316 stainless steel with brass pin

Finish	Cat. No.
Brushed stainless steel	926.87.022

Order qty: 1 pc

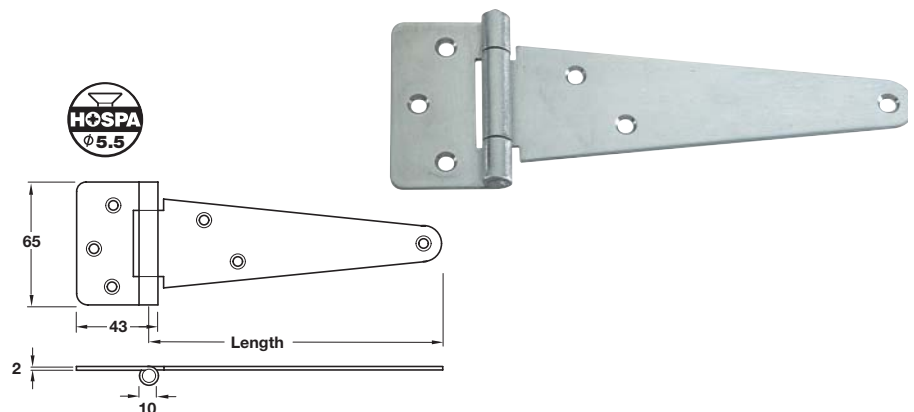


D Stainless steel tee hinge

- Ø 6 mm stainless steel pin
- Fixings not included, Ø 5.5 countersunk wood screws required
- Grade 316 stainless steel, brushed finish

Length	Cat. No.
100 mm	926.87.025
150 mm	926.87.030
200 mm	926.87.040
250 mm	+ 926.87.045
300 mm	926.87.050

Order qty: 1 pc



TCH-AI 2008, HUK. Dimensional data not binding. We reserve the right to alter specifications without notice.