

# Concealed Mortise Hinges Soss

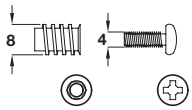
Routing jigs are shown below

Soss hinge selection guide shown on page 60

Regular lubrication required

**Discontinued** ●

**Discontinued when stock = 0** +



### A Soss hinge 204A

- Allows 3 mm vertical and 2 mm depth adjustment
- To suit door thickness **19-22 mm**
- Fixings are included

#### Zinc alloy body, brass plated steel links

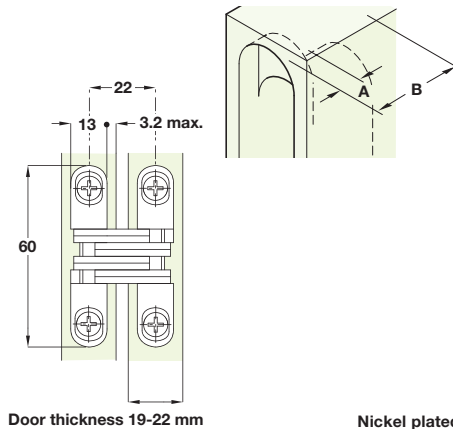
Body finish	A/B	Cat.No.
Brass plated	6.4/18.5 mm	+ 341.07.500

Order qty: 1 pc

#### Zinc alloy body, nickel plated steel links

Body finish	A/B	Cat. No.
Nickel plated	6.4/18.5mm	341.07.700

Order qty: 1 pc



Door thickness 19-22 mm

Nickel plated finish with nickel plated links shown

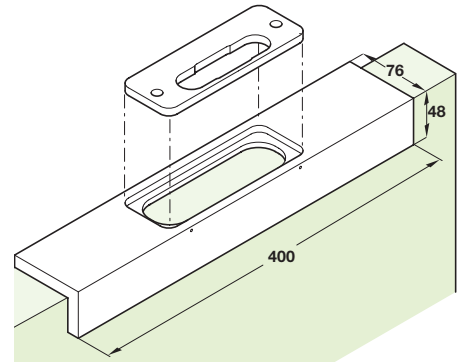
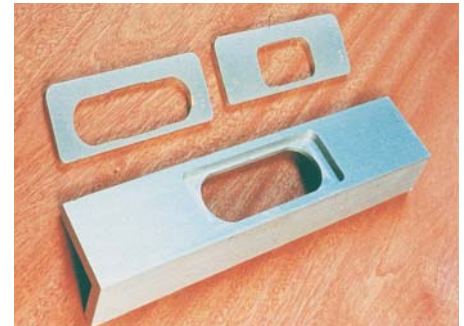
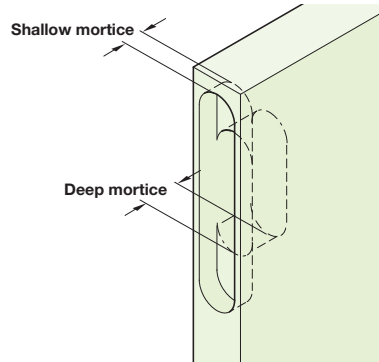
3

### B Routing jig for Soss hinges

- Comprises universal base plate and set of slot-in templates packed in a carry case
- Cabinet set comprises templates for 101, 203, 204 and 208
- Medium/heavy set comprises templates for 212, 216, 218, and 220
- Each individual jig consists of two templates, one for routing the shallow mortise, and one for the deep mortise
- The base plate is designed in such a way that the templates cannot be inserted incorrectly
- Clear anodised aluminium base plates and templates packed in blue plastic carry case
- Note: Soss hinge 101 and 203 are not shown in this catalogue, information available upon request

For Soss hinge 101, 203, 204, 208:	
Cabinet application	002.13.801
For Soss hinge 212, 216, 218, 220:	
Medium/heavy application	002.13.800

Order qty: 1 set



TCH-A1 2008, HUK. Dimensional data not binding. We reserve the right to alter specifications without notice.