

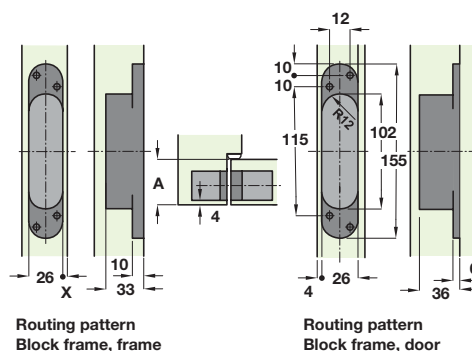
3

A Tectus TE 525/TE 528 3D hinge

- Maximum adjusted door weight 100 kg
- Opening angle 180°
- 3-way continuous adjustment
Vertical: ± 3 mm
Horizontal: ± 3 mm
Depth: ± 1 mm
- For wooden, steel or aluminium frames, for flush doors
- For min. door thickness 40 mm
- Suitable for left and right hand applications
- TE 525 hinge is all stainless steel, ideal for areas where there may be hygiene, weathering or corrosion issues
- TE 528 hinge looks and performs as the TE 525 but includes mild steel components; fitted internally and in a non corrosive environment will be suitable for most applications
- Maintenance-free friction bearings
- Fixing screws included for frame
- Stainless steel (TE 525) or steel/stainless steel (TE 528)

Item	Finish	Components	Cat. No.
TE 525	Satin stainless steel	Stainless steel	924.16.403
TE 528	Satin stainless steel	Stainless/mild steel	924.16.703

Order qty: Multiples of 2 pcs



Routing dimensions calculation:

A = frame rebate depth to sealing level
B = door thickness or 1st door rebate

$$A - B + 4 = \text{dim. X}$$

Dim. X must be between 4 mm and max. 6.5 mm.
(Steel frame: X = 5 mm)

B Intumescent kit to suit Tectus 525/528 3D hinge

- Upgrades hinge to 60 minute fire rating
- Intumescent material, white, 1 mm thick

Item	Cat. No.
Intumescent kit	924.17.697

Order qty: 1 set

C Door and frame template set for Tectus TE 525/528 3D hinge

- For routing the hinge recess for TECTUS TE 525 or 528 3D
- Router bit Ø 24 mm
- Jig guide Ø 30 mm
- Aluminium

Suitable for	Set includes templates	Cat. No.
TECTUS TE 525/528 3D	for steps 1 and 2	924.02.320
TECTUS TE 525/528 3D FIRE	for steps 1 and 2	924.02.328

Order qty: 1 set

14.01.11

Approved by S.L.