

# Stainless Steel Butt Hinges

## Phoenix Range - Traditional Bearing, Washered

Regular lubrication required.  
Fixings for timber included.

Refer to pages 2-3 for information on BS EN 1935, hinge grades and classification

**Discontinued** ●

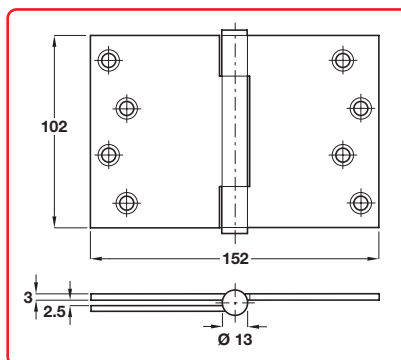
**Discontinued when stock = 0** +

**Item A.**  
Catalogue shows five knuckle hinge.  
Illustration, photo and heading  
amended to show 3 knuckle



### A Stainless steel, 3 knuckle, traditional bearing, projection hinge

- Staggered hole pattern
- Maximum adjusted door weight **100 kg** (in-house tested)
- Minimum door thickness **44 mm**
- Maximum clearance **80 mm**
- Square corners
- Maintenance free
- **25 year** performance guarantee
- Ø 5.5 x 30 mm wood screws included
- Grade 304 stainless steel



Satin stainless steel finish shown  
Square corners

<b>Length x width</b>	<b>102 x 152 mm</b>	
Finish	Satin	Polished
Square corners	926.91.640	926.91.641

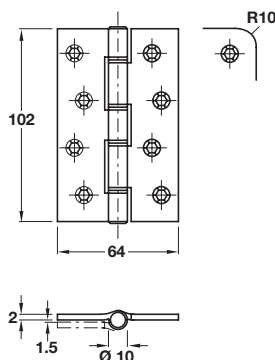
Order qty: 1 pc

BS EN 1935



### B Washered, stainless steel butt hinge

- Staggered hole pattern
- Grade **10** BS EN 1935
- Maximum adjusted door weight **60 kg**
- Minimum door thickness **32 mm**
- Square and radius corners
- Ø 5 x 30 mm wood screws included
- Grade 304 stainless steel



Satin stainless steel finish shown  
Square corners

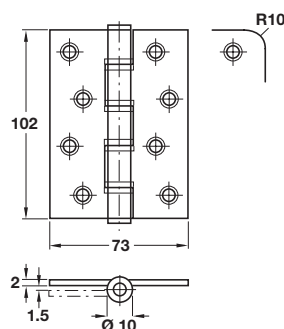
<b>Length x width</b>	<b>102 x 64 mm</b>	
Finish	Satin	Polished
Square corners	926.91.100	926.91.101
Radius corners	926.91.110	926.91.111

Order qty: 1 pc



### C Washered, stainless steel butt hinge

- Staggered hole pattern
- Maximum adjusted door weight **60 kg**
- Minimum door thickness **35 mm**
- Square and radius corners
- Ø 5 x 30 mm wood screws included
- Grade 304 stainless steel



Satin stainless steel finish shown  
Square corners

<b>Length x width</b>	<b>102 x 73 mm</b>	
Finish	Satin	Polished
Square corners	921.08.122	+ 926.91.651
Radius corners	926.91.660	926.91.661

Order qty: 1 pc

18.11.11/2\*