

# Mortice Cylinder Locks and Latches

## Multipoint Locking System

All moving parts should be lightly lubricated using a light non-acidic mineral oil (eg. "3 in 1"), twice per year and surface cleaned with a soft damp cloth. The product may need to be adjusted and fixings tightened to ensure a satisfactory operation.

### A Mortice cylinder slave unit

- **Operation:** Shoot bolt operated by lever handles. Deadlock by cylinder
- **Case:** Steel, BZP CR3 passivate, 14.5 mm thick
- **Front plate:** Square, 1 piece. Steel, BZP CR3 passivate. 2120 mm (including shoot bolts) x 16 mm wide. Front plate can be shortened by max. 130 mm top and bottom
- **Keeps:** Not included, must be ordered separately
- **Follower:** 8 mm brass. For use with standard 92 mm **unsprung** lever handles
- Accepts most europrofile cylinders
- Corrosion resistance: Plated to BS EN 1670 Grade 4
- Designed to meet the requirements of PAS 23 and PAS 24

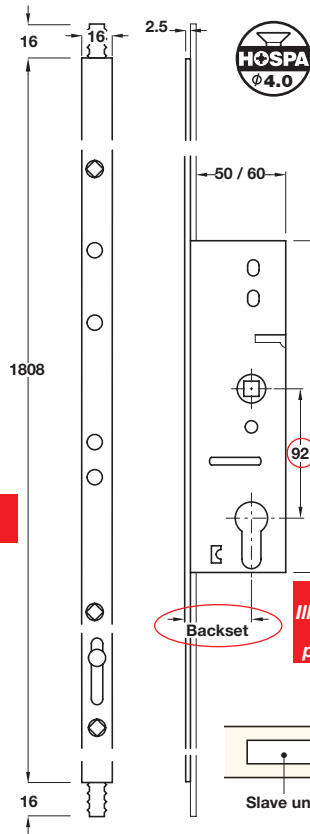
• Licensed by Secured by Design

**Item A.**  
Text added

- 10 year guarantee
- 35 or 45 mm backset
- Fixings screws are not included
- **Order hi-security shoot bolts separately;** shown on page 34
- **Order cylinders separately;** see pages 40-50
- **Order keeps separately;** shown on page 34
- For lever handles, see below

Front plate width: 16 mm	Cat. No.
<b>Backset 35 mm</b>	911.50.790
<b>Backset 45 mm</b>	911.50.791

Order qty: 1 pc



### Multipoint lock system dimensions

		Length with shoot bolts added	
		Minimum	Maximum
<b>Backset 35 mm</b>			
1810 x 16 mm	911.50.790	1740 mm	2120 mm
<b>Backset 45 mm</b>			
1810 x 16 mm	911.50.791	1740 mm	2120 mm

**Item A.**  
Dimensions table added

**Item A.**  
Dimension added

**Item A.**  
Illustration amended to show correct position of backset



**Item A.**  
Logo added



**Item B.**  
Text added to show door thickness

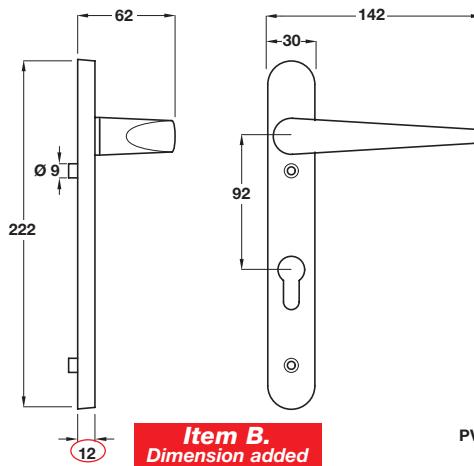
### B Lever handles

- Designed to suit multipoint locks
  - Bolt through fixings included
  - Spring units are included for use with standard sprung lock cases
- Suitable for 44-55 mm door thickness
- 92 mm centres
  - Die cast zinc alloy

Finish	Cat. No.
White	901.80.817
Polished chrome	901.80.812
PVD polished gold	901.80.815

Order qty: 1 pair

**Item B.**  
Catalogue reverted back to read 1 pair



**Item B.**  
Dimension added



PVD polished gold finish shown

Internal handle of pair shown (External handle has concealed fixing)

**Item C.**  
Text added to show door thickness

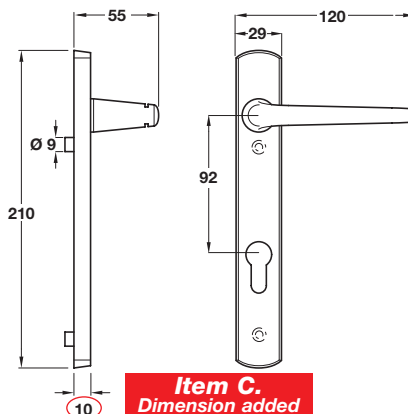
### C Lever handles

- Designed to suit multipoint locks
  - Bolt through fixings included
- Suitable for 44-55 mm door thickness
- 92 mm centres
  - Die cast zinc alloy

Finish	Cat. No.
White	+ 901.80.827
Black	+ 901.80.823
Polished silver	+ 901.80.829
Satin silver	901.80.826
Polished gold	+ 901.80.825

Order qty: 1 pair

Discontinued when stock = 0  
 901.80.827 - No longer available  
 901.80.823 - No longer available  
 901.80.829 - No longer available  
 901.80.825 - No longer available



**Item C.**  
Dimension added



Satin silver finish shown

Internal handle of pair shown (External handle has concealed fixing)

02.05.13/9\*