

2

### A Gate spring

- Face fixing
- Fixing screws not included
- Steel

**Please note there is a  $\pm 3$  mm tolerance on dimensions**

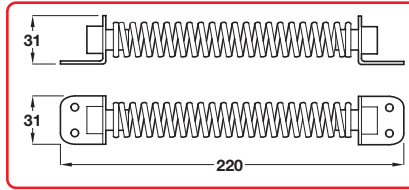


Finish	Cat. No.
Black	931.52.003

Order qty: 1 pc

### Item A.

Dimension amended and tolerance text added



Dimension tolerance text added

Catalogue shows electro galvanised  
Correct finish is zinc plated

### B Gate latch

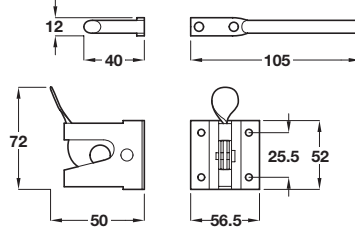
- Fixing screws not included
- Steel

**Please note there is a  $\pm 3$  mm tolerance on dimensions**



Finish	Cat. No.
Black	911.63.025
Zinc plated	911.63.026

Order qty: 1 set



### Item C.

Dimension amended and tolerance text added

### C Suffolk latch

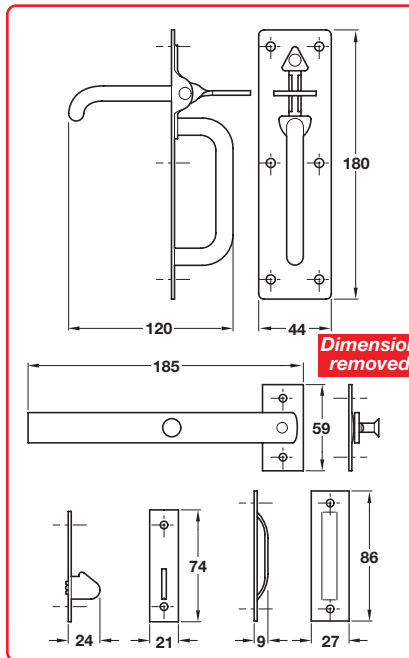
- Fixing screws not included
- Steel

**Please note there is a  $\pm 3$  mm tolerance on dimensions**



Finish	Cat. No.
Black	911.63.027
Electro galvanized	911.63.028

Order qty: 1 set



Dimension removed



### D Plain ring handle gate latch

- Fixing screws not included
- Steel

**Please note there is a  $\pm 3$  mm tolerance on dimensions**

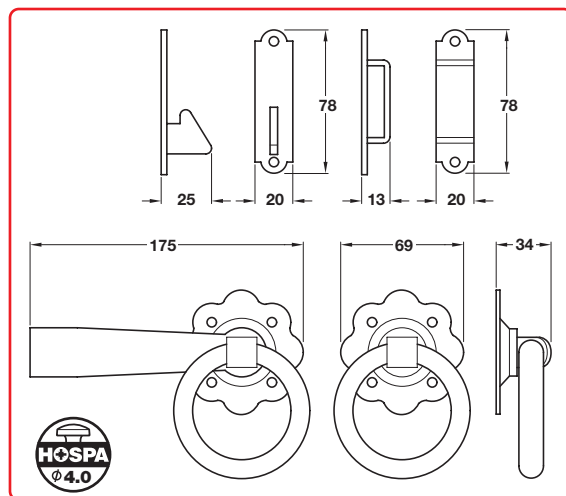


Finish	Cat. No.
Black	911.63.029
Electro galvanized	911.63.030

Order qty: 1 set

### Item D.

Dimension amended and tolerance text added



TCH-A1 2008, HUK. Dimensional data not binding. We reserve the right to alter specifications without notice.