



### Spindle type

- Plain spindle
- Piercing spindle
- Slotted spindle
- Stabil spindle

See page 64 for details

### Compatibility rating



For full explanation see page 2

All FSB lever handles on this page suit door thickness 42-46 mm. For other door thickness please consult our sales office, as they are to special order only, subject to quantity

### FSB door furniture

Since 1996, FSB has been fully audited and certified a 'green company' in compliance with ISO 14001

All FSB lever handles are made to BS EN 1906: 2002

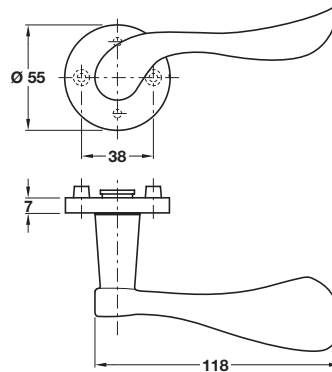
All FSB lever handles are to be fitted with the FSB Stabil spindle. The spindle is solid and meets all the specifications set out in DIN 18 255 if correctly mounted

Caring for your FSB aluminium door furniture requires a wipe clean with a weak solution of washing-up liquid using a sponge or soft cloth



### A FSB 1020 lever handles

- Design: Johannes Potente
- Pair of lever handles
- Grub screw fixing on 8 mm spindle
- Pair of concealed fixing roses (order separately)
- **Unsprung**, for use with **heavy duty** followers
- For sprung roses, see page 98
- Fixings included
- To suit doors **42-46 mm** thick
- Aluminium
- Matching escutcheons available, see page 210
- Fixed spindle, see page 64 for details of type
- For recommended locks, see **Section 2** pages 4-14



<b>Lever handle</b>	Cat. No.
Silver anodised	904.20.011
<b>Handle rose</b>	
Silver anodised	904.50.001

Order qty: 1 pair

### Silver anodised finish



### C FSB 1020 Lever handle set

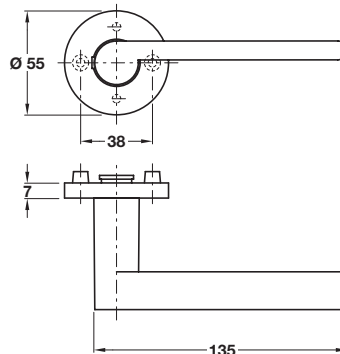
- Includes 1 pair handles and roses
- Fixings included for 42-46 mm thick doors

Finish	Cat. No.
Satin anodised	904.21.171

Order qty: 1 set

### B FSB 1021 lever handles

- Pair of lever handles
- Grub screw fixing on 8 mm spindle
- Pair of concealed fixing roses (order separately)
- **Unsprung**, for use with **heavy duty** followers
- For sprung roses, see page 98
- Fixings included
- To suit doors **42-46 mm** thick
- Aluminium
- Matching escutcheons available, see page 210
- Fixed spindle, see page 64 for details of type
- For recommended locks, see **Section 2** pages 4-14



<b>Lever handle</b>	Cat. No.
Silver anodised	904.20.481
<b>Handle rose</b>	
Silver anodised	904.50.001

Order qty: 1 pair

### Silver anodised finish



### D FSB 1021 Lever handle set

- Includes 1 pair handles and roses
- Fixings included for 42-46 mm thick doors

Finish	Cat. No.
Satin anodised	904.21.181

Order qty: 1 set

TCH-AI 2008, HUK. Dimensional data not binding. We reserve the right to alter specifications without notice.

05.04.13/1