



Spindle type

- Plain spindle
- Piercing spindle
- Slotted spindle
- Stabil spindle

See page 64 for details

Compatibility rating



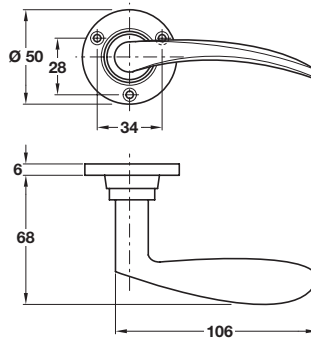
For full explanation see page 2

A Traditional lever handles

- Pair of lever handles on face fixing roses
- Plain 8 mm spindle
- **Sprung**, for use with **standard duty** followers
- Fixings included
- To suit doors **35-50 mm** thick
- Brass or bronze
- Matching escutcheons available, see page 206
- Spindle type, see page 64 for details
- For recommended locks, see **Section 2** pages 15-17

| Finish | Cat. No. |
|----------------------------|------------|
| Polished brass | 900.20.708 |
| Satin nickel | 900.20.706 |
| Rustic bronze | 900.20.701 |
| Real bronze metal antiqued | 900.20.700 |

Order qty: 1 pair



Real bronze metal antiqued finish

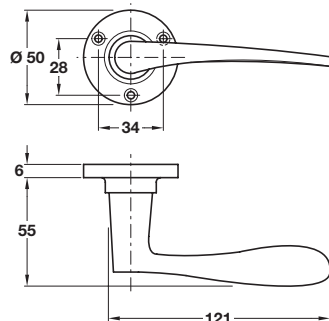


B Traditional lever handles

- Pair of lever handles on face fixing roses
- Plain 8 mm spindle
- **Sprung**, for use with **standard duty** followers
- Fixings included
- To suit doors **35-50 mm** thick
- Brass or bronze
- Matching escutcheons available, see page 206
- Spindle type, see page 64 for details
- For recommended locks, see **Section 2** pages 15-17

| Finish | Cat. No. |
|---------------|------------|
| Rustic bronze | 900.20.711 |

Order qty: 1 pair



Rustic bronze finish

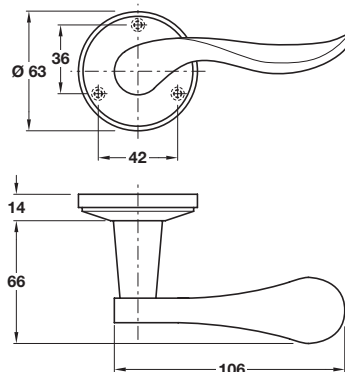


C Traditional lever handles

- Pair of lever handles on face fixing roses
- Plain 8 mm spindle
- **Sprung**, for use with **standard duty** followers
- Fixings included
- To suit doors **35-50 mm** thick
- Brass or bronze
- Matching escutcheons available, see page 206
- Spindle type, see page 64 for details
- For recommended locks, see **Section 2** pages 15-17

| Finish | Cat. No. |
|---------------|------------|
| Satin nickel | 900.20.726 |
| Rustic bronze | 900.20.721 |

Order qty: 1 pair



Satin nickel finish

