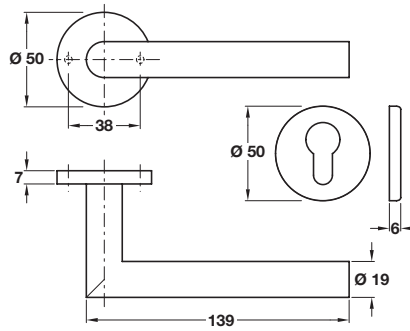


1 **A** KONGUR I Ø 19 mm straight lever handles

- Pair of lever handles with concealed fixing roses
- Grub screw fixing on 8 mm square spindle
- **Unsprung**, for use with **heavy duty** followers
- Fixings included
- To suit doors up to **45 mm** thick
- Stainless steel
- Profile cylinder escutcheons included
- Spindle type, see page **64** for details
- For recommended locks, see **Section 2** pages **21-22** and **66-69**

Finish	Cat. No.
Satin stainless steel	+ 902.20.980

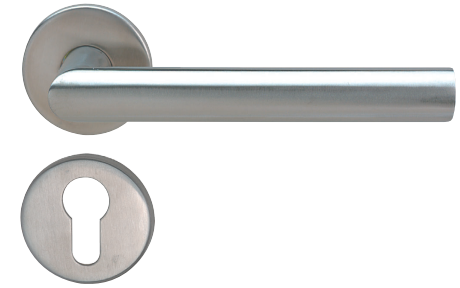
Order qty: 1 set



Satin stainless steel finish



Discontinued •
Discontinued when stock = 0 +



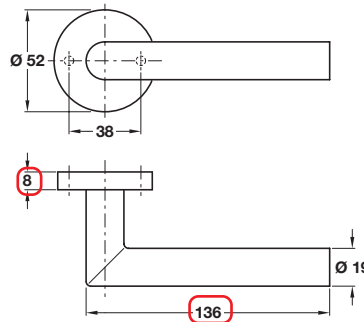
B KONGUR II Ø 19 mm straight lever handles

- Pair of lever handles with concealed fixing roses
- Grub screw fixing on 8 mm square spindle
- **Sprung**, for use with **standard duty** followers
- Fixings included
- To suit doors up to **45 mm** thick
- Stainless steel
- Matching escutcheons available, see page **199**
- Spindle type, see page **64** for details
- For recommended locks, see **Section 2** pages **27-30, 72-75, 77** and **79-81**

Finish	Cat. No.
Satin stainless steel	902.21.220

Order qty: 1 pair

Catalogue shows 9 mm
Correct dimension is 8 mm



Satin stainless steel finish



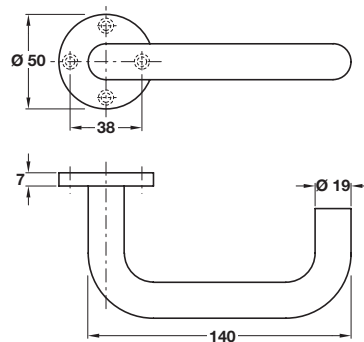
Catalogue shows 128 mm
Correct dimension is 136 mm

C TIANA I Ø 19 mm safety lever handles

- Pair of lever handles with concealed fixing roses
- Grub screw fixing on 8 mm square spindle
- **Unsprung**, for use with **heavy duty** followers
- Fixings included
- To suit doors up to **45 mm** thick
- Stainless steel
- Matching escutcheons available, see page **199**
- Spindle type, see page **64** for details
- For recommended locks, see **Section 2** pages **21-22** and **66-69**

Finish	Cat. No.
Satin stainless steel	902.20.800
Polished stainless steel	902.20.801

Order qty: 1 pair



Satin stainless steel finish

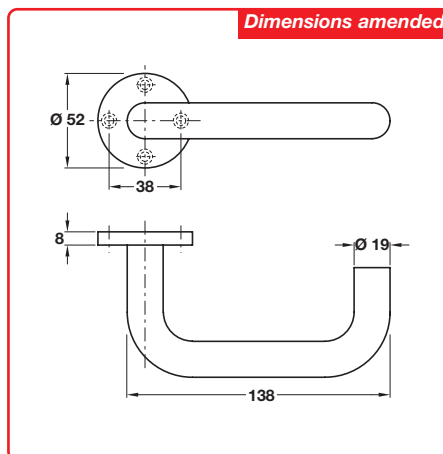


D TIANA II Ø 19 mm safety lever handles

- Pair of lever handles with concealed fixing roses
- Grub screw fixing on 8 mm square spindle
- **Sprung**, for use with **standard duty** followers
- Fixings included
- To suit doors up to **45 mm** thick
- Stainless steel
- Matching escutcheons available, see page **199**
- Spindle type, see page **64** for details
- For recommended locks, see **Section 2** pages **27-30, 72-75, 77** and **79-81**

Finish	Cat. No.
Satin stainless steel	902.20.820
Polished stainless steel	902.20.821

Order qty: 1 pair



Satin stainless steel finish



Logo amended

