



Stainless Steel Grade 304:

Stainless steel to EN standard No. 1.4301
ASTM/AISI 304. 18% chromium 8% nickel

Spindle type

- Plain spindle
- Piercing spindle
- Slotted spindle
- Stabil spindle

Compatibility rating



See page 64 for details

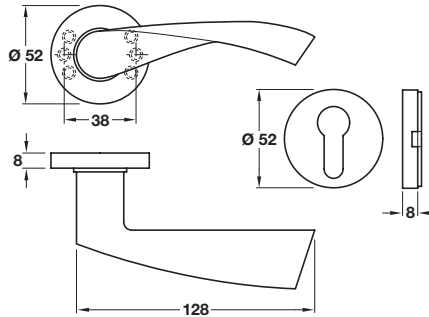
For full explanation see page 2

Discontinued

Discontinued when stock = 0

A KRAKATOA shaped lever handles

- Pair of lever handles
- Grub screw fixing on 8 mm square spindle
- Pair of concealed fixing roses
- **Sprung**, for use with **standard duty** followers
- Bolt through fixing screws included
- To suit doors up to **45 mm** thick
- Two profile cylinder escutcheons included
- 304 stainless steel
- Spindle type, see page 64 for details
- For recommended locks, see **Section 2** pages 18-25



Satin stainless steel finish

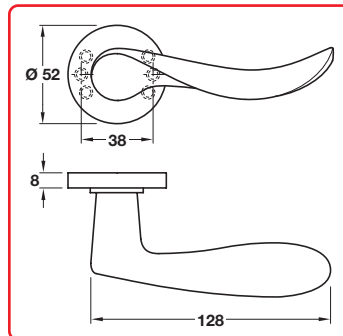


Finish	Cat. No.
Satin stainless steel	+ 902-92-900
Polished stainless steel	+ 902-92-901

Order qty: 1 set

B ANGEL shaped lever handles

- Pair of lever handles
- Grub screw fixing on 8 mm square spindle
- Pair of concealed fixing roses
- **Sprung**, for use with **standard duty** followers
- Bolt through fixing screws included
- To suit doors up to **45 mm** thick
- 304 stainless steel
- Spindle type, see page 64 for details
- For recommended locks, see **Section 2** pages 18-25



Satin stainless steel finish



Item B.
Illustration & photo amended

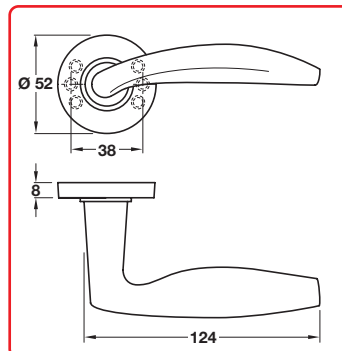
Finish	Cat. No.
Satin stainless steel	+ 902-20-960
Polished stainless steel	● 902-20-961

Order qty: 1 set

Item B.
Text removed, cylinder escutcheons not included

C MAKRA shaped lever handles

- Pair of lever handles
- Grub screw fixing on 8 mm square spindle
- Pair of concealed fixing roses
- **Sprung**, for use with **standard duty** followers
- Bolt through fixing screws included
- To suit doors up to **45 mm** thick
- 304 stainless steel
- Spindle type, see page 64 for details
- For recommended locks, see **Section 2** pages 18-25



Satin stainless steel finish



Item C.
Illustration & photo amended

Finish	Cat. No.
Satin stainless steel	+ 902-20-970
Polished stainless steel	+ 902-20-971

Order qty: 1 set

Item C.
Text removed, cylinder escutcheons not included

15.11.11/7*