

1



Stainless Steel Grade 316:

Stainless steel to EN standard No. 1.4401
ASTM/AISI 316

Spindle type

- Plain spindle
- Piercing spindle
- Slotted spindle
- Stabil spindle

Compatibility rating



See page 64 for details

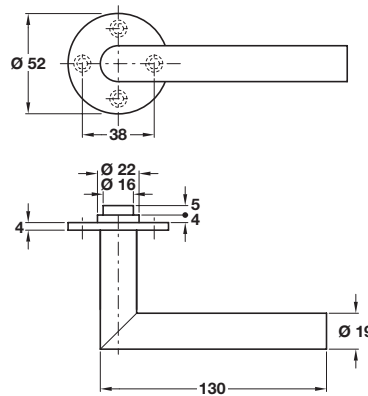
For full explanation see page 2

A PYRENEAN Ø 19 mm lever handles

- Pair of lever handles
- Grub screw fixing on 8 mm spindle
- Pair of concealed fixing roses
- **Unsprung**, for use with **heavy duty** followers
- Fixings included
- To suit doors **35-54 mm** thick
- 316 stainless steel
- Matching escutcheons available, see page 189
- Matching pull handles available, see page 136
- Spindle type, see page 64 for details
- For recommended locks, see **Section 2** pages 4-14

Finish	Cat. No.
Satin stainless steel	902.21.014
Polished stainless steel	902.21.015

Order qty: 1 pair



Satin stainless steel finish

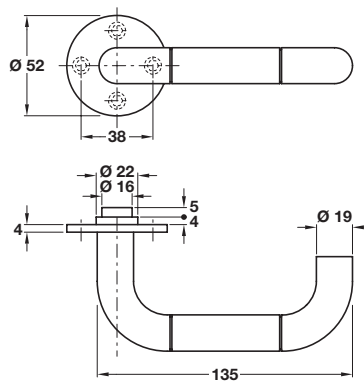


B MONTSERRAT Ø 19 mm lever handles

- Pair of lever handles
- Grub screw fixing on 8 mm spindle
- Pair of concealed fixing roses
- **Unsprung**, for use with **heavy duty** followers
- Fixings included
- To suit doors **35-54 mm** thick
- 316 stainless steel
- Matching escutcheons available, see page 189
- Matching pull handles available, see page 138
- Spindle type, see page 64 for details
- For recommended locks, see **Section 2** pages 4-14

Finish	Cat. No.
Polished/matt stainless steel	902.21.017

Order qty: 1 pair



Polished/matt stainless steel finish

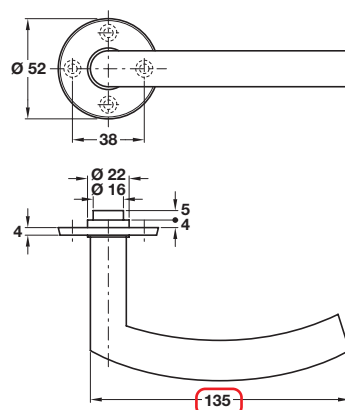


C ARARATE bowed lever handles

- Pair of lever handles
- Grub screw fixing on 8 mm spindle
- Pair of concealed fixing roses
- **Unsprung**, for use with **heavy duty** followers
- Fixings included
- To suit doors **35-54 mm** thick
- 316 stainless steel
- Matching escutcheons available, see page 189
- Matching pull handles available, see page 147
- Spindle type, see page 64 for details
- For recommended locks, see **Section 2** pages 4-14

Finish	Cat. No.
Satin stainless steel	902.21.012
Polished stainless steel	902.21.013

Order qty: 1 pair



Satin stainless steel finish



**Catalogue shows
138 mm
Correct dimension is
135 mm**

TCH-A1 2008, HUK. Dimensional data not binding. We reserve the right to alter specifications without notice.