

Lever Handles Stainless Steel Grade 316

Discontinued •
Discontinued when stock = 0 +

HÄFELE

1



Stainless Steel Grade 316:

Stainless steel to EN standard No. 1.4401
ASTM/AISI 316

Spindle type

- Plain spindle
- Piercing spindle
- Slotted spindle
- Stabil spindle

See page 64 for details

Compatibility rating



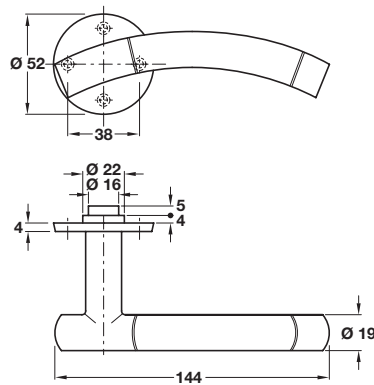
For full explanation see page 2

A RUSHMORE Ø 19 mm section lever handles

- Pair of lever handles
- Grub screw fixing on 8 mm spindle
- Pair of concealed fixing roses
- **Unsprung**, for use with **heavy duty** followers
- Fixing screws included
- To suit doors **35-54 mm** thick
- 316 stainless steel
- Matching escutcheons available, see page 189
- Matching pull handles available, see page 133
- Spindle type, see page 64 for details
- For recommended locks, see Section 2 pages 4-14

Finish	Cat. No.
Satin stainless steel	902.20.500
Polished stainless steel	902.20.501

Order qty: 1 pair



Polished stainless steel finish

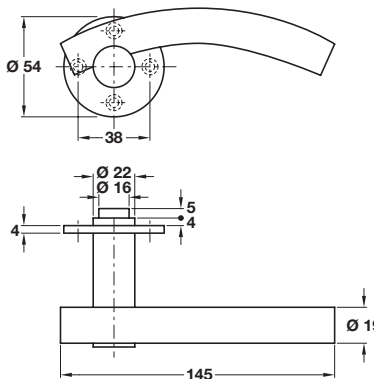


B MONT BLANC II Ø 19 mm lever handles

- Pair of lever handles
- Grub screw fixing on 8 mm spindle
- Pair of concealed fixing roses
- **Unsprung**, for use with **heavy duty** followers
- Fixings included
- To suit doors **35-54 mm** thick
- 316 stainless steel
- Matching escutcheons available, see page 189
- Matching pull handles available, see page 134
- Spindle type, see page 64 for details
- For recommended locks, see Section 2 pages 4-14

Finish	Cat. No.
Satin stainless steel	902.21.006
Polished stainless steel	+ 902.21.007

Order qty: 1 pair



Satin stainless steel finish

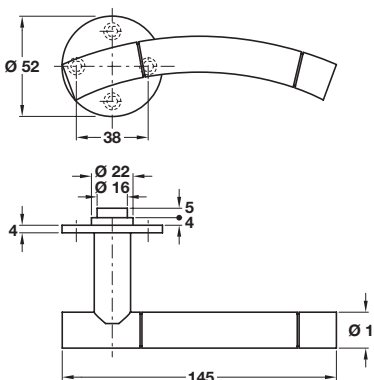


C EL CONDOR Ø 19 mm lever handles

- Pair of lever handles
- Grub screw fixing on 8 mm spindle
- Pair of concealed fixing roses
- **Unsprung**, for use with **heavy duty** followers
- Fixings included
- To suit doors **35-54 mm** thick
- 316 stainless steel
- Matching escutcheons available, see page 189
- Matching pull handles available, see page 135
- Spindle type, see page 64 for details
- For recommended locks, see Section 2 pages 4-14

Finish	Cat. No.
Polished/matt stainless steel	902.21.019

Order qty: 1 pair



Polished/matt stainless steel finish



17.11.11/1