

Lever Handles Stainless Steel Grade 316

Discontinued
Discontinued when stock = 0



Stainless Steel Grade 316:

Stainless steel to EN standard No. 1.4401
ASTM/AISI 316

Spindle type

- Plain spindle
- Piercing spindle
- Slotted spindle
- Stabil spindle

See page 64 for details

Compatibility rating



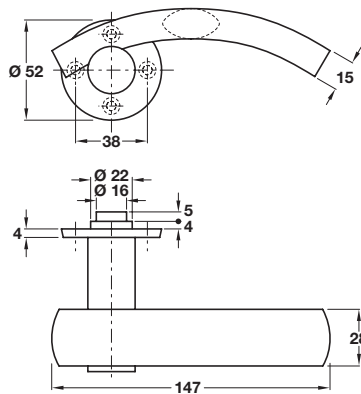
For full explanation see page 2

A EIGER oval section lever handles

- Pair of lever handles
- Grub screw fixing on 8 mm spindle
- Pair of concealed fixing roses
- **Unsprung**, for use with **heavy duty** followers
- Fixings included
- To suit doors **35-54 mm** thick
- 316 stainless steel
- Matching escutcheons available, see page 189
- Matching pull handles available, see page 131
- Spindle type, see page 64 for details
- For recommended locks, see Section 2 pages 4-14

Finish	Cat. No.
Satin stainless steel	902.20.490
Polished stainless steel	+ 902.20.49T

Order qty: 1 pair



Polished stainless steel finish

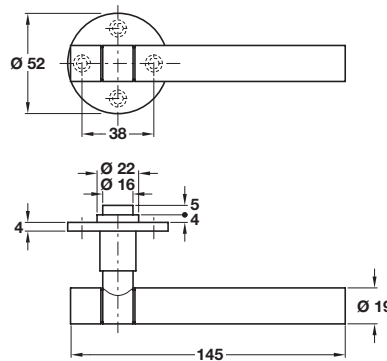


B SIERRA NEVADA Ø 19 mm lever handles

- Pair of lever handles
- Grub screw fixing on 8 mm spindle
- Pair of concealed fixing roses
- **Unsprung**, for use with **heavy duty** followers
- Bolt through fixings included
- To suit doors **35-54 mm** thick
- 316 stainless steel
- **Duo finish** - The stem of the lever handles are bead blasted to create a dull matt finish
- Matching escutcheons available, see page 189
- Matching pull handles available, see page 144
- Spindle type, see page 64 for details
- For recommended locks, see Section 2 pages 4-14

Finish	Cat. No.
Satin/Dull matt stainless steel	902.21.022
Polished/Dull matt stainless steel	902.21.023

Order qty: 1 pair



Satin/Dull matt stainless steel finish

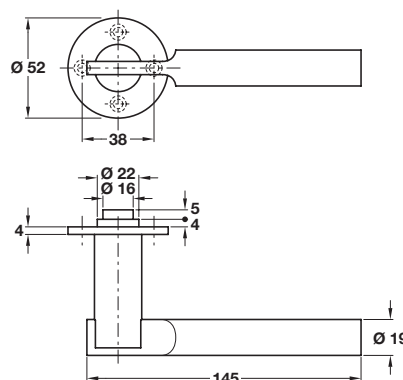


C ANNAPURNA Ø 19 mm lever handles

- Pair of lever handles
- Grub screw fixing on 8 mm spindle
- Pair of concealed fixing roses
- **Unsprung**, for use with **heavy duty** followers
- Fixing screws included
- To suit doors **40-54 mm** thick
- 316 stainless steel
- Matching escutcheons available, see page 189
- Matching pull handles available, see page 130
- Spindle type, see page 64 for details
- For recommended locks, see Section 2 pages 4-14

Finish	Cat. No.
Satin stainless steel	902.21.002
Polished stainless steel	902.21.003

Order qty: 1 pair



Satin stainless steel finish



17.11.11/1

TCH-AI 2008, HUK. Dimensional data not binding. We reserve the right to alter specifications without notice.