

Modular System Door Handles Stainless Steel Grade 304

Discontinued •
Discontinued when stock = 0 +

HÄFELE

1

The door handles series RS (round support, concealed fixing), is a combination of stainless steel tube in two diameters, support variants and decorative end caps offering simple assembly and many design possibilities.

Tube assembly

Saw the tube (item **A** on this page) to size, slip onto the end support clamping system in the head of the support (items **B** and **C** on this page). Tighten the clamping screw to complete (cut edges are concealed and errors in cutting can be compensated for up to 5 mm).

Mid-point support assembly

Slip one tube onto the mid-point support (items **D** and **E** on page 154) and tighten the clamping screw slightly. Then slip on the second tube and twist in opposite directions until they are tight.

Decorative end caps assembly

Caps (items **F**, **G** and **H** on page 154) are screwed on to the end supports by taking out the clamping screw and replacing it by the attached set screw with locknut. Then tighten securely with a wrench or may be glued with a suitable adhesive.

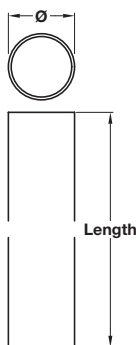
The long end cap (item **I** on page 155) is used in conjunction with mid-point supports, **and not end caps**.

A Stainless steel tube

- Available in two diameters, Ø 35 and Ø 40 mm
- Available in two lengths: 2000 and 3000 mm or cut lengths to order
- Maximum length without mid-point support:
Ø 35 mm - 2000 mm length
Ø 40 mm - 2200 mm length
- 304 stainless steel

Dull brushed stainless	Ø 35 mm	Ø 40 mm
2000 mm	902.22.002	902.22.012
3000 mm	+ 902.22.003	902.22.013

Order qty: 1 pc



Dull brushed stainless steel finish

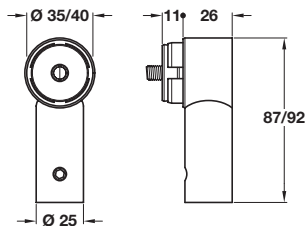


B End support, straight

- Available in two diameters, Ø 35 and Ø 40 mm
- 304 stainless steel

Tube Ø	Ø 35 mm	Ø 40 mm
Dull brushed stainless	902.22.050	902.22.060

Order qty: 1 pc



Dull brushed stainless steel finish

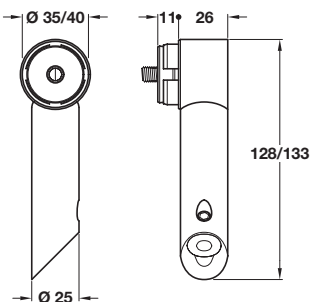


C End support, 45°

- Available in two diameters, Ø 35 and Ø 40 mm
- 304 stainless steel, dull brushed stainless

Tube Ø	Ø 35 mm	Ø 40 mm
Left hand	902.22.051	902.22.061
Right hand	902.22.056	902.22.066

Order qty: 1 pc



Dull brushed stainless steel finish



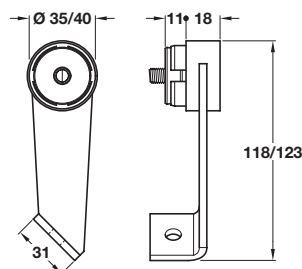
Items C and D. Text and items added

D End support, 45°

- Available in two diameters, Ø 35 and Ø 40 mm
- 304 stainless steel, dull brushed stainless

Tube Ø	Ø 35 mm	Ø 40 mm
Left hand	902.22.054	902.22.064
Right hand	902.22.059	-

Order qty: 1 pc



Dull brushed stainless steel finish



TCH-AI 2008, HUK. Dimensional data not binding. We reserve the right to alter specifications without notice.

21.11.11/3*