

Compatibility rating

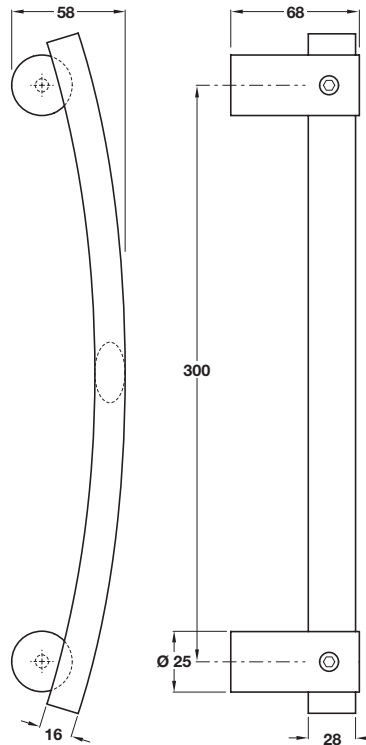


For full explanation see page 2

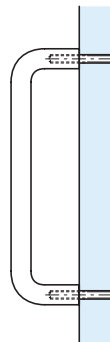
Discontinued ●

Discontinued when stock = 0 +

Satin stainless steel finish



Example: Bolt through fixing



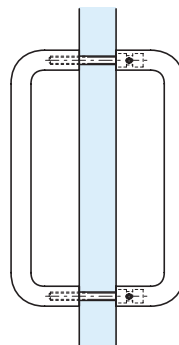
A EIGER oval section pull handle

- Single pull handle
- Bolt through fixing
- M8 through fixing bolts included
- To suit doors up to **54 mm** thick
- 316 stainless steel

Finish	Cat. No.
Satin stainless steel	903.09.640
Polished stainless steel	903.09.641

Order qty: 1 pc

Example: Back to back fixing



B EIGER oval section pull handles

- Pair of pull handles
- Back to back fixing
- M8 through fixing bolts included
- To suit doors up to **54 mm** thick
- 316 stainless steel

Finish	Cat. No.
Satin stainless steel	903.10.640
Polished stainless steel	+ 903.10.641

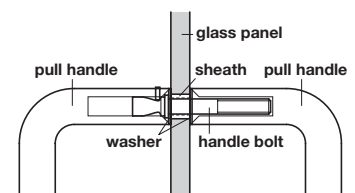
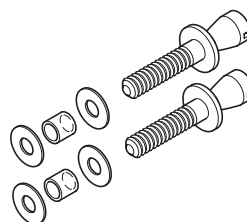
Order qty: 1 pair

C Glass door fixing set

- To convert item **B** to glass door fixing
- Pair of nylon sheaths
- 4 x **Ø 25 mm** nylon washers
- Special M8 fixing bolts included
- To suit doors **8-18 mm** thick
- Ø 13 mm holes required

Cat. No.	909.00.915
----------	------------

Order qty: 1 set



17.11.11/1