

1

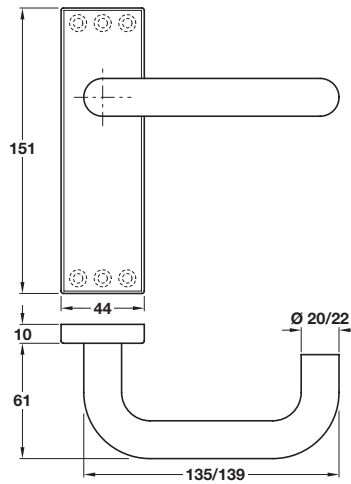
Matching escutcheons available, see page **212**
 Matching pull handles available, see page **177**
 Spindle type, see page **101** for details
 For recommended locks, see **Section 2** pages **27-30, 72-75, 77** and **79-81**

A Ø 20/22 mm lever handles, latch

- Pair of lever handles on latch backplates
- Grub screw fixing on 8 mm spindle
- **Sprung**, for use with **standard duty** followers
- Fixings included
- To suit doors up to **54 mm** thick
- Aluminium

Finish	Ø 20 mm	Ø 22 mm
Satin anodised	905.99.919	+ 905.99.924

Order qty: 1 pair **Discontinued when stock = 0**
~~905.99.924 - No longer available~~



Satin anodised finish



Discontinued ●
Discontinued when stock = 0 +

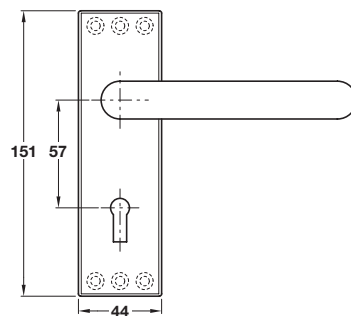


B Ø 20/22 mm lever handles, standard keyway lock

- Pair of lever handles on standard keyway lock backplates
- Grub screw fixing on 8 mm spindle
- **Sprung**, for use with **standard duty** followers
- Fixings included
- To suit doors up to **54 mm** thick
- Aluminium

Finish	Ø 20 mm	Ø 22 mm
Satin anodised	905.99.920	+ 905.99.925

Order qty: 1 pair **Discontinued when stock = 0**
~~905.99.925 - No longer available~~



Satin anodised finish

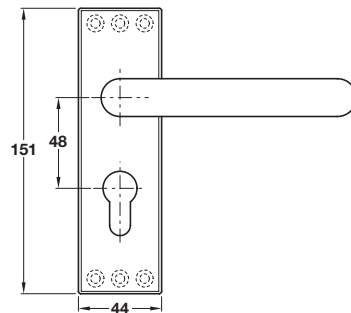


C Ø 20/22 mm lever handles, profile cylinder lock

- Pair of lever handles on profile cylinder lock backplates
- Grub screw fixing on 8 mm spindle
- **Sprung**, for use with **standard duty** followers
- Fixings included
- To suit doors up to **54 mm** thick
- Aluminium

Finish	Ø 20 mm	Ø 22 mm
Satin anodised	905.99.921	+ 905.99.926

Order qty: 1 pair **Discontinued when stock = 0**
~~905.99.926 - No longer available~~



Satin anodised finish

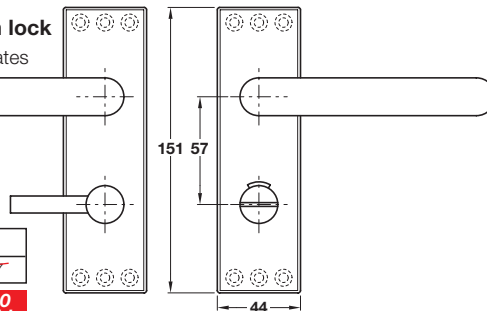


D Ø 20/22 mm lever handles, bathroom lock

- Pair of lever handles on bathroom lock backplates
- Grub screw fixing on 8 mm spindle
- **Sprung**, for use with **standard duty** followers
- Fixings included
- To suit doors up to **54 mm** thick
- Aluminium

Finish	Ø 20 mm	Ø 22 mm
Satin anodised	905.99.922	+ 905.99.927

Order qty: 1 set **Discontinued when stock = 0**
~~905.99.927 - No longer available~~



Satin anodised finish

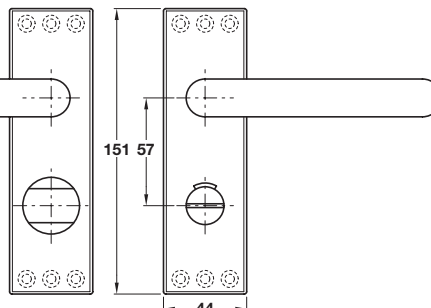


E Ø 20/22 mm lever handles, bathroom lock

- Pair of lever handles on bathroom lock backplates
- Grub screw fixing on 8 mm spindle
- **Sprung**, for use with **standard duty** followers
- Fixings included
- To suit doors up to **54 mm** thick
- Aluminium

Finish	Ø 20 mm	Ø 22 mm
Satin anodised	905.99.923	● 905.99.928

Order qty: 1 set



Satin anodised finish



21.06.11/2