

A Lock handle with cylinder

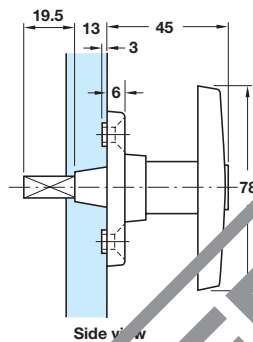
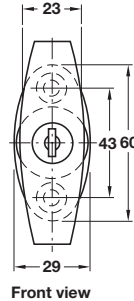
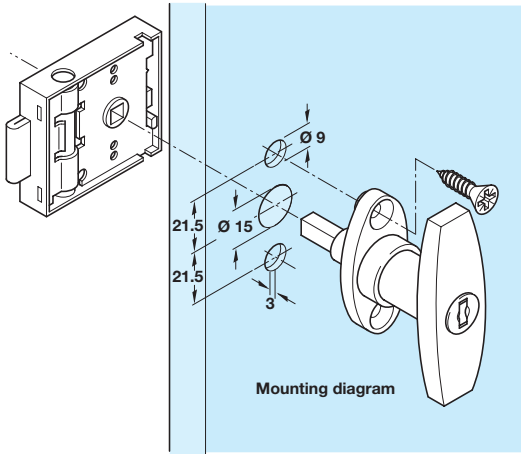
- With 7 mm square spindle, suitable for use with **Piccolo-Nova** or **Extending Rod** lock cases with 7 mm square aperture
- **5 plate levers** = 200 possible key changes
- Polished chrome-plated zinc alloy case
- Polished chrome-plated zinc alloy cylinder
- **Accessories:** 2 keys

Cat. No. 227.12.401

Order qty: 1 pc

Discontinued ●

Discontinued when stock = 0 +

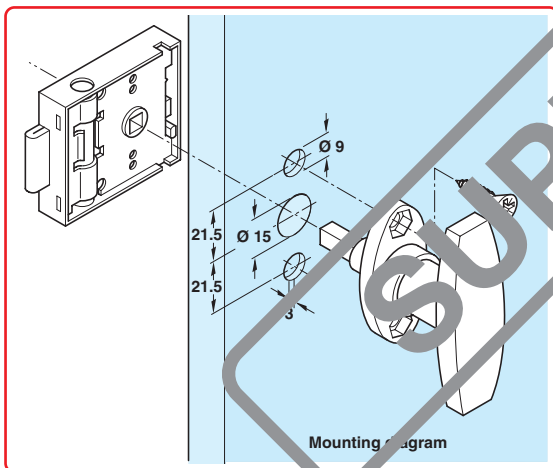


A Lock handle with cylinder

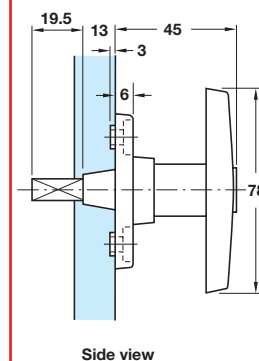
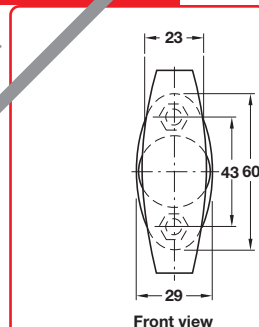
- With 7 mm square spindle, suitable for use with **Piccolo-Nova** or **Extending Rod** lock cases with 7 mm square aperture
- **5 plate levers** = 200 possible key changes
- Polished chrome-plated zinc alloy case
- Polished chrome-plated zinc alloy cylinder
- **Accessories:** 2 keys

Cat. No. + 227.12.401

Order qty: 1 pc **Discontinued when stock=0**
For 227.12.401 use alt. no. 227.12.401



Item B.
Illustration amended



Item B.
Photograph amended



B Rotary handle

- With 7 mm square spindle, suitable for use with **Piccolo-Nova** or **Extending Rod** lock cases with 7 mm square aperture
- Polished chrome-plated zinc alloy

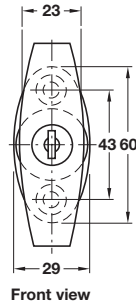
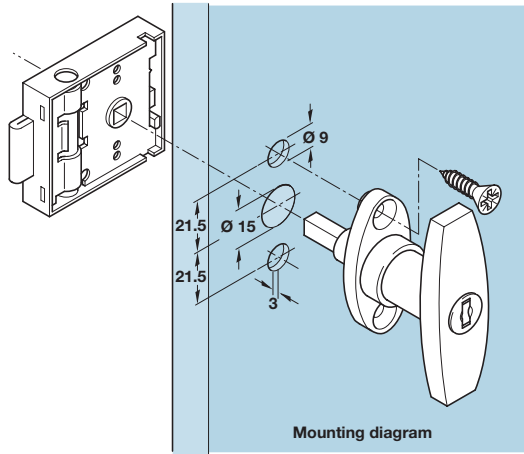
Cat. No. 227.12.456

Order qty: 1 pc **Re-instated**

Dimensions in mm

We reserve the right to alter specifications without notice.

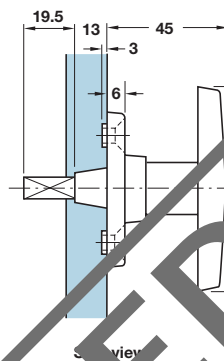
Discontinued •
Discontinued when stock = 0 +



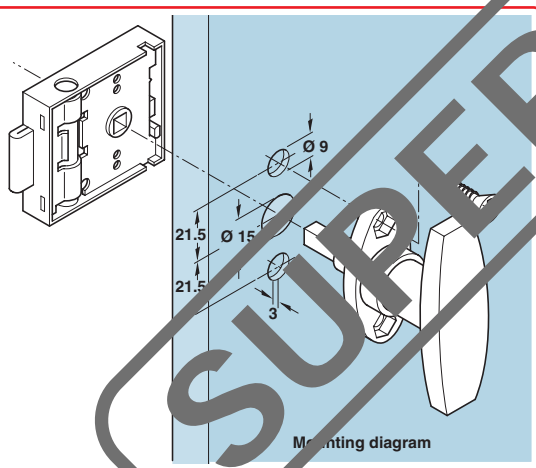
A Lock handle with cylinder

- With 7 mm square spindle, suitable for use with **Piccolo-Nova** or **Extending Rod** lock cases with 7 mm square aperture
- **5 plate levers** = 200 possible key changes
- Polished chrome-plated zinc alloy case
- Polished chrome-plated zinc alloy cylinder
- **Accessories:** 2 keys

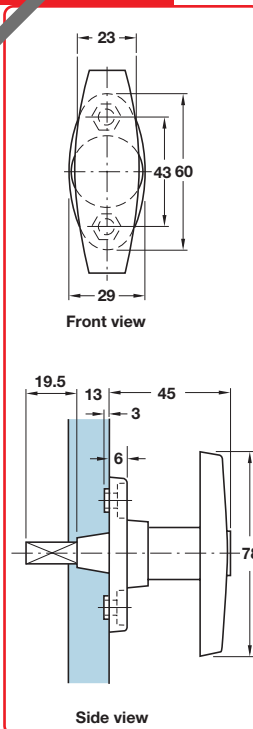
Cat. No. 227.12.401
 Order qty: 1 pc



SUPERSEDED



Item B.
 Illustration added



Item B.
 Photograph amended



B Rotary handle

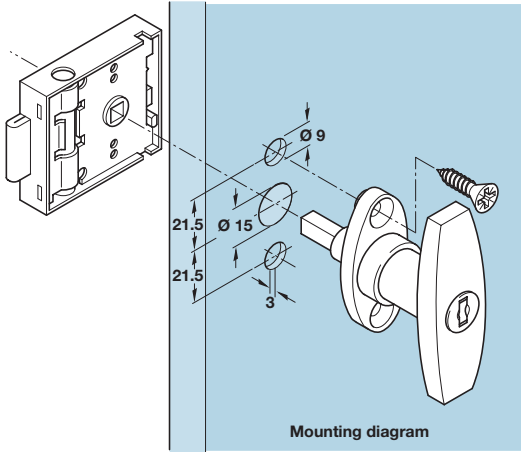
- With 7 mm square spindle, suitable for use with **Piccolo-Nova** or **Extending Rod** lock cases with 7 mm square aperture
- Polished chrome-plated zinc alloy

Cat. No. + 227.12.456
 Order qty: 1 pc

Dimensions in mm

We reserve the right to alter specifications without notice.

Discontinued •
Discontinued when stock = 0 +

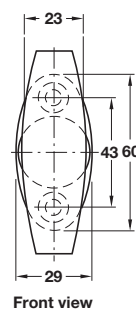
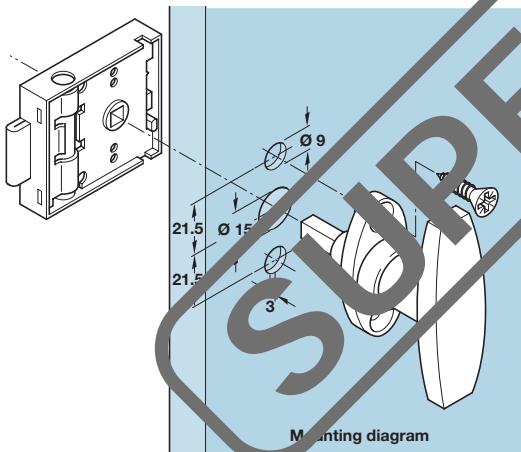
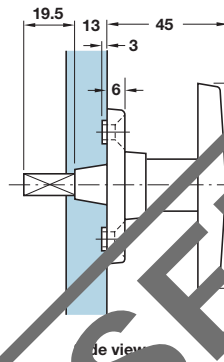


A Lock handle with cylinder

- With 7 mm square spindle, suitable for use with **Piccolo-Nova** or **Extending Rod** lock cases with 7 mm square aperture
- **5 plate levers** = 200 possible key changes
- Polished chrome-plated zinc alloy case
- Polished chrome-plated zinc alloy cylinder
- **Accessories:** 2 keys

Cat. No. 227.12.401

Order qty: 1 pc

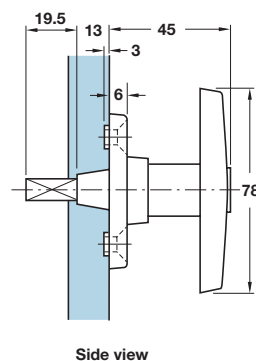


B Rotary handle

- With 7 mm square spindle, suitable for use with **Piccolo-Nova** or **Extending Rod** lock cases with 7 mm square aperture
- Polished chrome-plated zinc alloy

Cat. No. + 227.12.456

Order qty: 1 pc



SUPERSEDED

Dimensions in mm

We reserve the right to alter specifications without notice.